



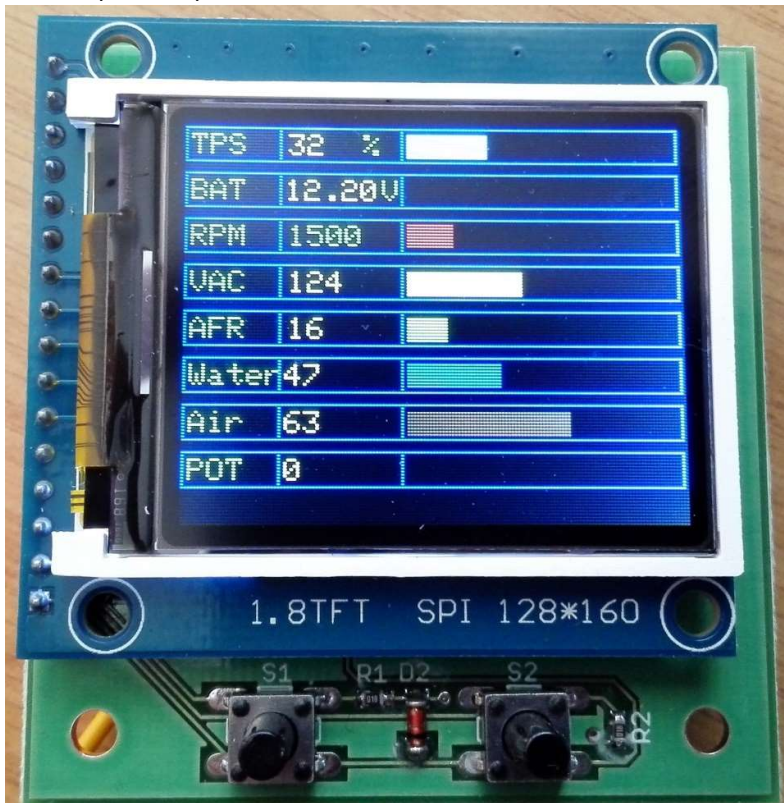
ECU Display (DSP02) Manual

Contents

1. Introduction	1
2. Screen 0 Information.....	2
3. Screen 1 Information.....	3
4. Screen 2 Information.....	4
5. Saving.....	5
6. Screen Dim.....	5
7. Connecting.....	6
8. Programming the Display.....	7
9. Dimensions.....	8
10. Wiring.....	9

1. Introduction

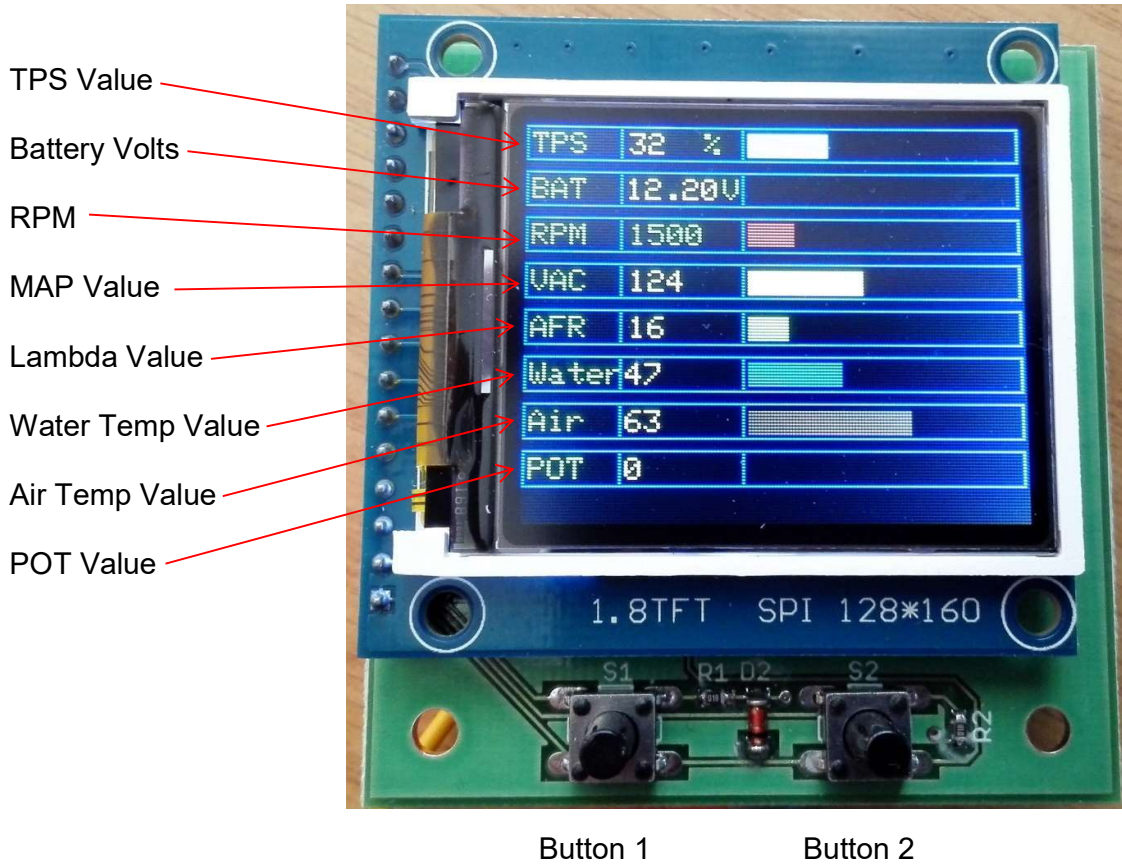
The ECU Display was designed to display ECU information on Mercury2 ECU, Pluto2 and Saturn, RPM, MAP Value and more. It cannot change data on the ECU only read.





ECU Display (DSP02) Manual

2. Screen 0 Information





ECU Display (DSP02) Manual

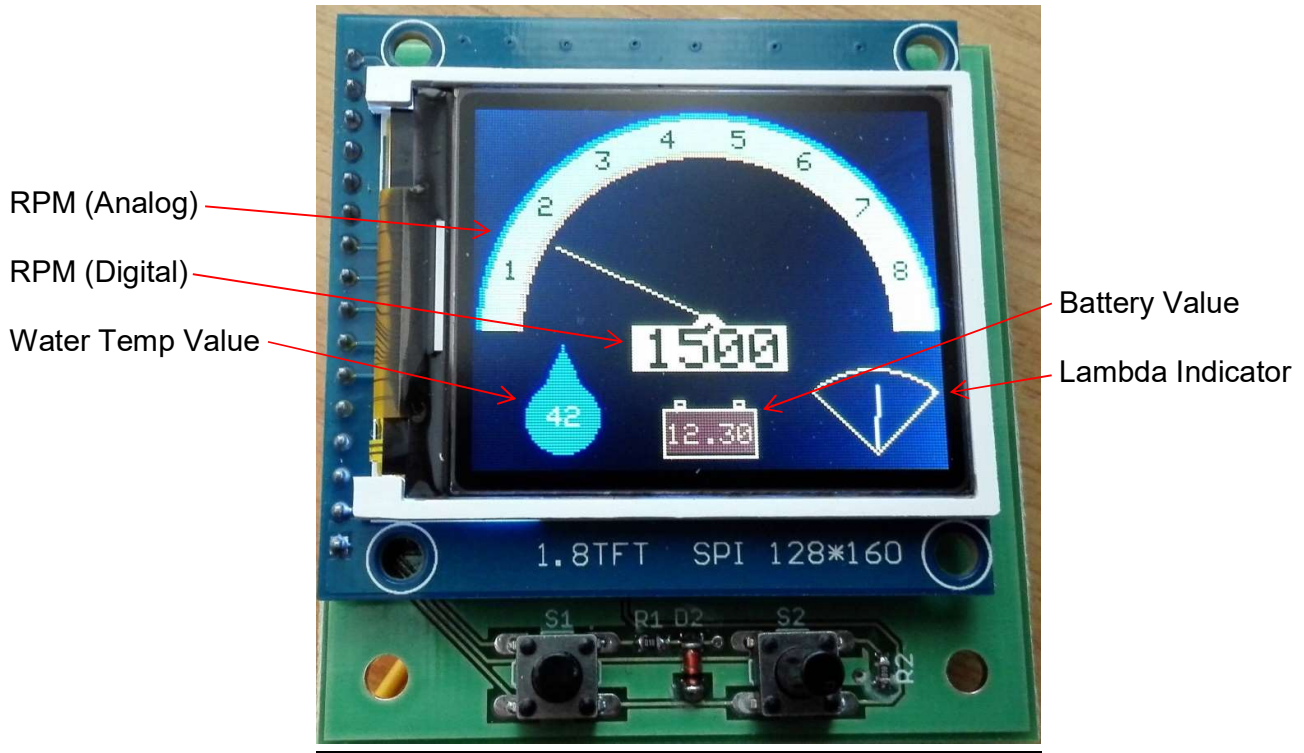
3. Screen 1 Information





ECU Display (DSP02) Manual

4. Screen 2 Information





ECU Display (DSP02) Manual

5. Saving

The unit can save the current screen and display brightness by pressing both buttons at the same time, the unit will display “Saving settings” and then “Saving Settings – Done”. The screen will return to previous screen and the settings are saved. If the power was reset the display will start up on the screen you saved on.

6. Screen Dim

The unit has two display brightness settings, one when the yellow wire has 0 volts, this will be your day mode that will normally be on the brightest setting and will indicate on the bottom of the display as a yellow line if button1 is pressed.

Setting two will be when the yellow wire is connected to 12Volt, and then the brightness will be displayed as a blue line on the bottom of the display while button1 is pressed.

 **NB** Remember to save the brightness by pressing both buttons at the same time.

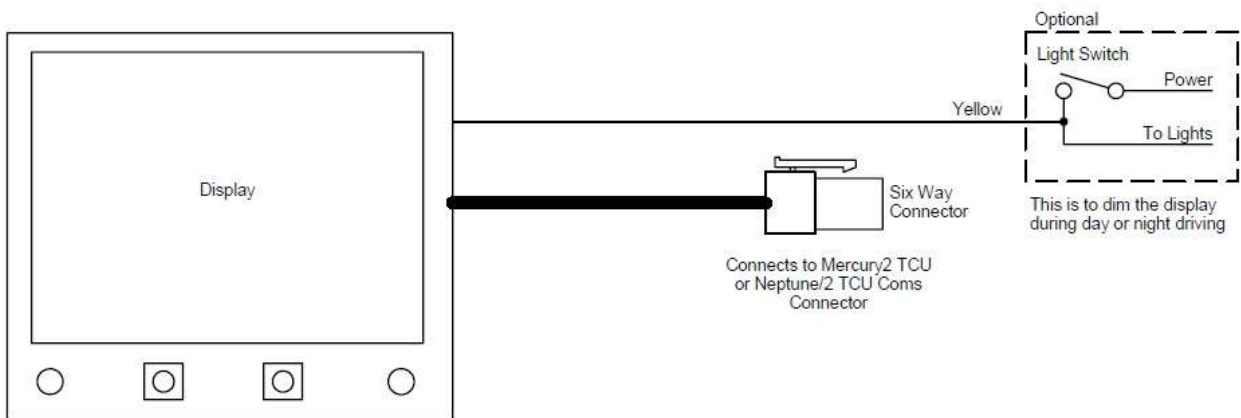


ECU Display (DSP02) Manual

7. Connecting

The unit has a six pin connector that connects to the coms connector of either the Spitronics Mercury or Pluto units. The unit will then read the device information and display it at startup.

Optional: The loos yellow wire is connected to the light switch, the unit will switch between two brightness settings when the lights are switched on or off.



ECU Display (DSP02) Manual

8. Programming the Display

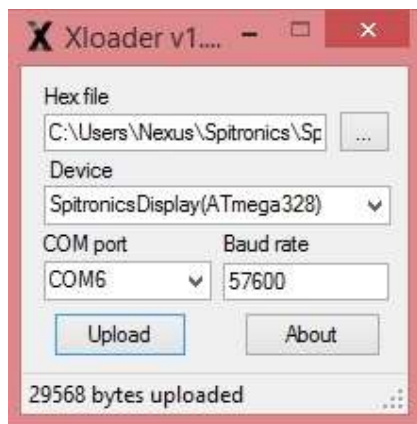
To program the display with new or other firmware is easy. All you need is a standard mini USB cable.

NB!!! First download the Driver [here](#).

Then extract the driver, right click on the “USB Driver.EXE” and select “Run as Administrator”, Click on install and it will display “Driver is successfully installed”

Current/Newest Firmware: ECU_Display_V1.2.hex

Firmware and the software can be found on the website [here](#).

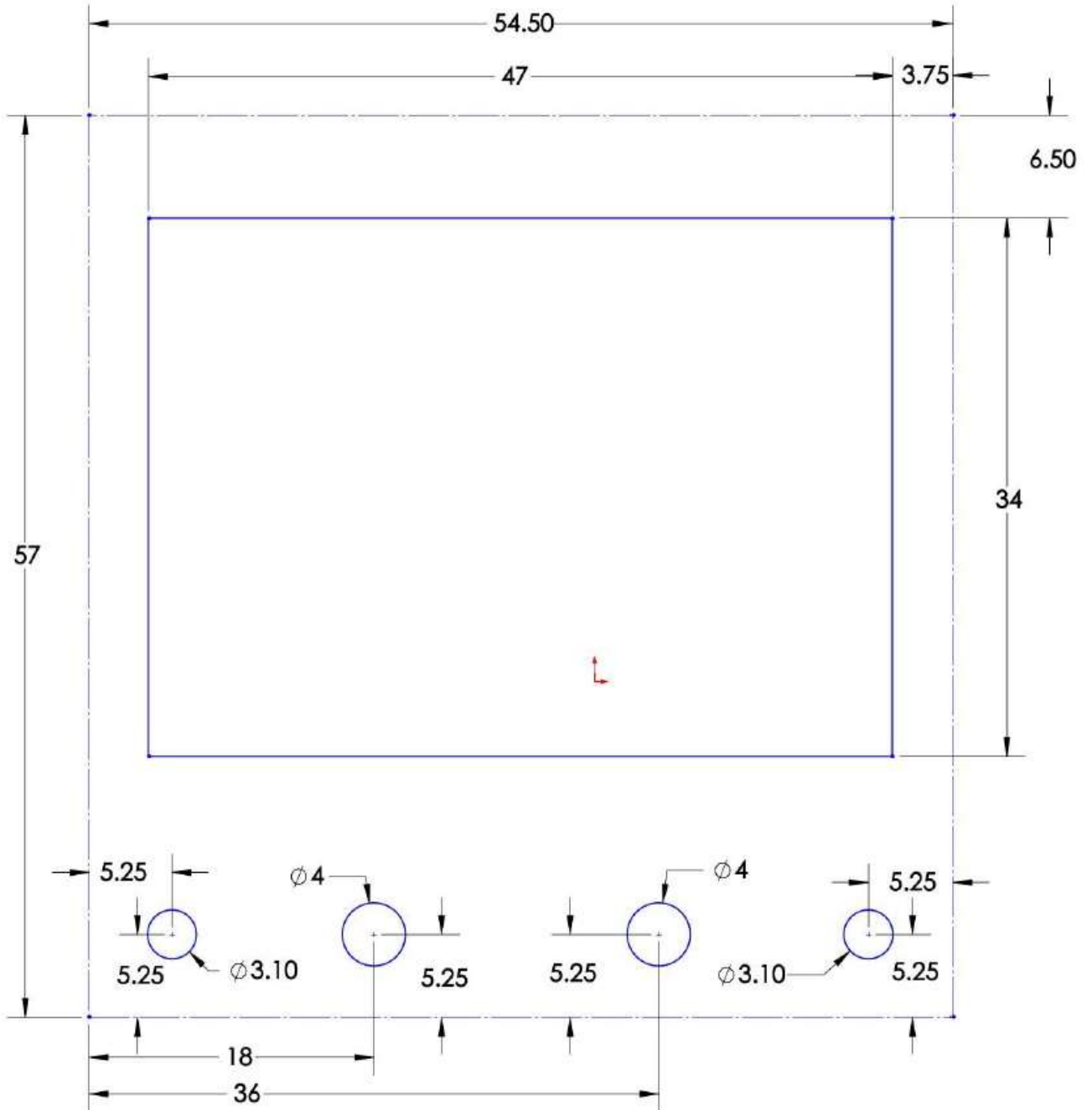


1. Unzip and install the Xloader software.
2. Connect the unit to the mini USB cable. NB! Do not connect to Spitronics unit.
3. The display will power on and will display “No connection to Spitronics Unit”
4. Open Xloader software.
5. In the top box, select the firmware that you want to load with the button on the right.
6. Device will stay the same: SpitronicsDisplay(ATmega328)
7. At COM port select the correct COM port the unit is assigned to.
8. Baud rate stay the same: 57600
9. Then Click Upload.
10. In the bottom left it will say “Uploading”
11. When it say’s “????? Byte’s uploaded” the unit is programmed.
12. Disconnect the USB cable.
13. The unit is now ready for use.



ECU Display (DSP02) Manual

9. Dimensions





ECU Display (DSP02) Manual

10. Wiring

DSP02 Wires

File Name: DSP02
Last Changed: 21/11/2016

