

1Trig 8Cyl 2Inj 4Coil 5V Mag

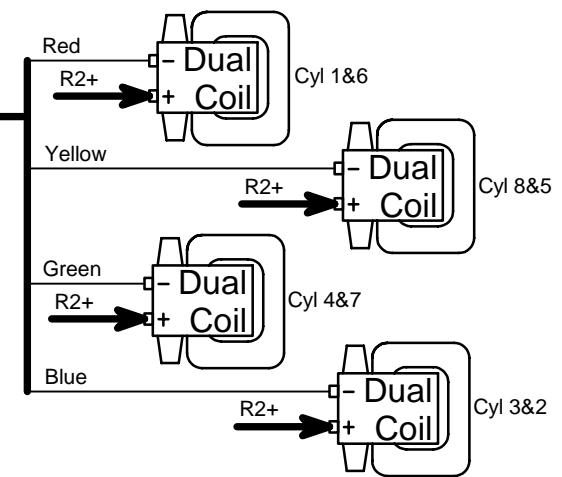
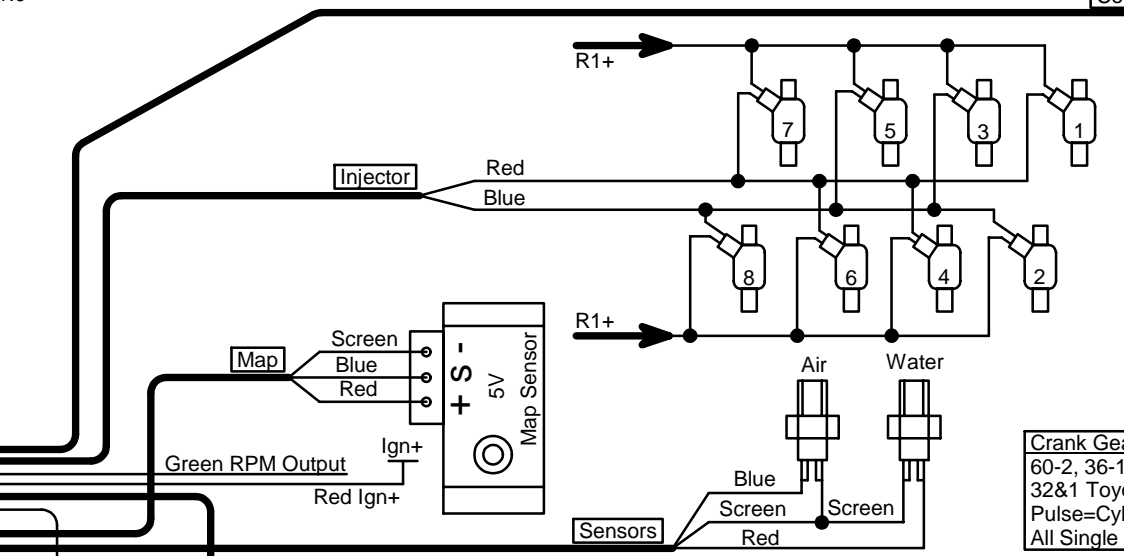
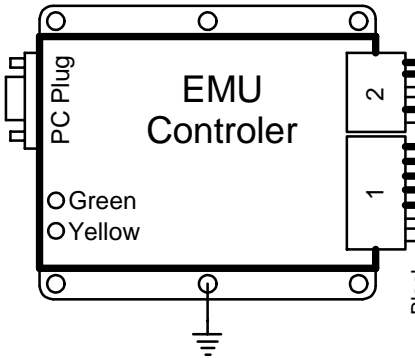
Harness Required: E01 Ver 1.1 & E12 Ver 1.0

Last Changed: 22/05/2009

Drawing Ver: 1.0

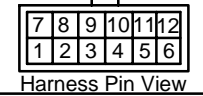
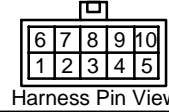
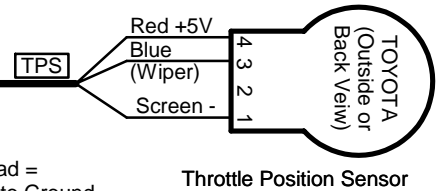
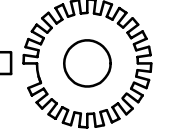
Ign+
| Ignition Power
⏏ Earth
Terminal Connections with the same name are tied together

Led's Functions
Yellow - Power
Green - RPM Pulse



Crank Gear Configuration
60-2, 36-1, 36-2, 18-1, 32&1 Toyota 2.7i, Pulse=Cylinders, All Single Sensor Distributors

Harness	Description
Red	Sensor +
Blue	Sensor -



- 1. Yellow - Coil 8&5-
- 2. Blue - Coil 3&2-
- 3. Red - Injector 2&3&5&8
- 4. Blue - Fuel Relay
- 5. Yellow - GP Output 1
- 6. Red - Coil 1&6-
- 7. Green - Coil 4&7-
- 8. Blue - Injector 1&6&4&7
- 9. Green - RPM Output
- 10. Green - GP Output 2

- 1. Blue - Air Temp Sensor
- 2. Blue - TPS Sensor
- 3. Blue - Map Sensor
- 4. - Input Spare
- 5. - Hall Input 2
- 6. - Hall Input 1
- 7. Red - Water Temp Sensor
- 8. Red - Lamda Sensor
- 9. Red - +5V Output
- 10. Red - +12V Ign Input
- 11. - Magnetic Input 2+
- 12. Red - Magnetic Input 1+

