

# BMW850 V12 - EMU

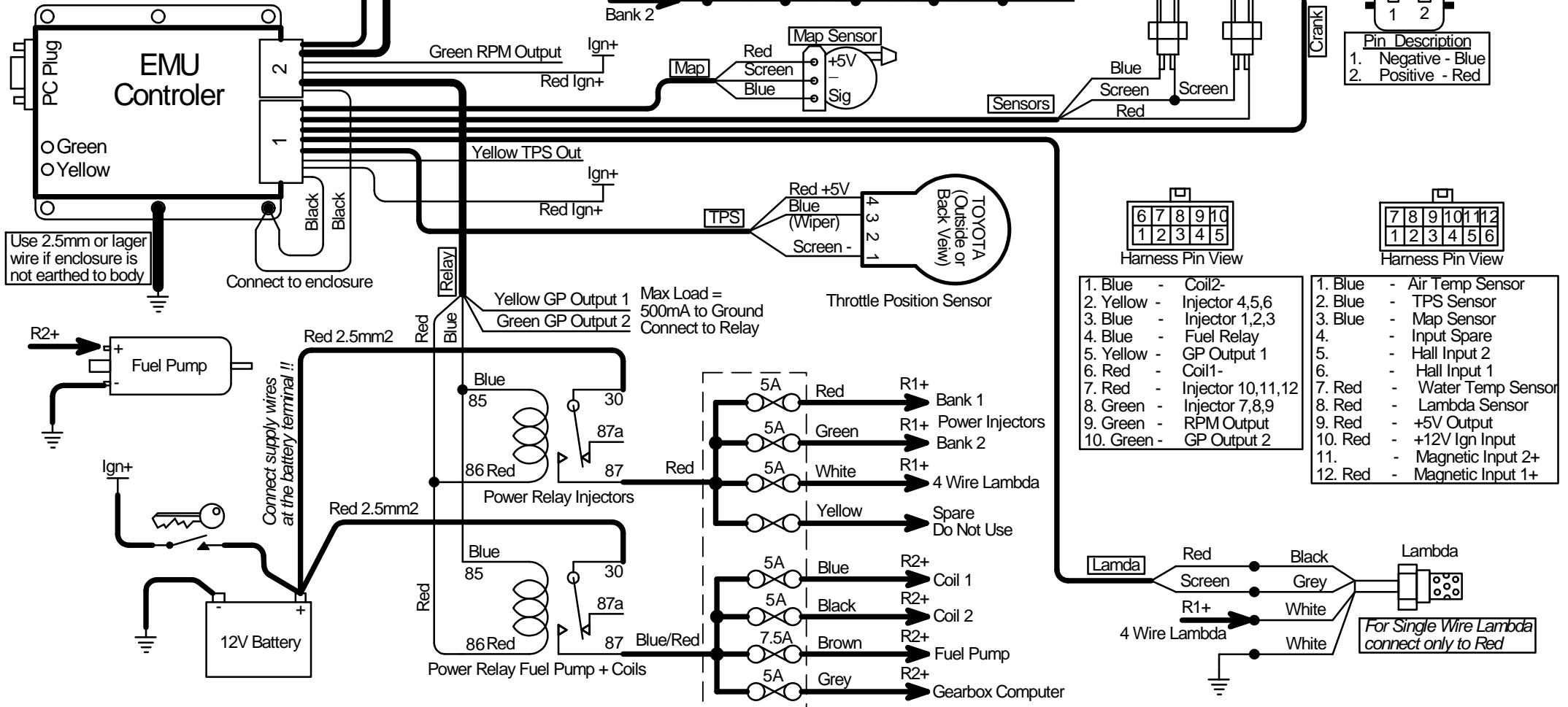
Harness Required: E01 Ver 1.1 & E02 Ver 1.1

Last Changed: 05/03/2009

Drawing Ver: 1.1

Ign+  
| Ignition Power  
⊥ Earth  
**Terminal Connections with the same name are tied together**

**Led's Functions**  
Yellow - Power  
Green - RPM Pulse



**Pin Description**  
1. Negative - Blue  
2. Positive - Red

**Harness Pin View**

6	7	8	9	10
1	2	3	4	5

**Harness Pin View**

7	8	9	10	11	12
1	2	3	4	5	6

- 1. Blue - Coil2-
- 2. Yellow - Injector 4,5,6
- 3. Blue - Injector 1,2,3
- 4. Blue - Fuel Relay
- 5. Yellow - GP Output 1
- 6. Red - Coil1-
- 7. Red - Injector 10,11,12
- 8. Green - Injector 7,8,9
- 9. Green - RPM Output
- 10. Green - GP Output 2
- 1. Blue - Air Temp Sensor
- 2. Blue - TPS Sensor
- 3. Blue - Map Sensor
- 4. - Input Spare
- 5. - Hall Input 2
- 6. - Hall Input 1
- 7. Red - Water Temp Sensor
- 8. Red - Lambda Sensor
- 9. Red - +5V Output
- 10. Red - +12V Ign Input
- 11. - Magnetic Input 2+
- 12. Red - Magnetic Input 1+

For Single Wire Lambda connect only to Red