

# Colt V6Cyl 3Coil 5V Hall

Harness Required: E17 Ver 1.0 & E09 Ver 1.0

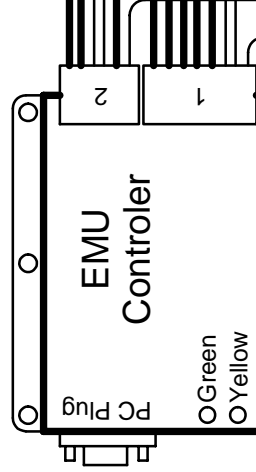
Last Changed: 24/01/2008

Drawing Ver: 1.0

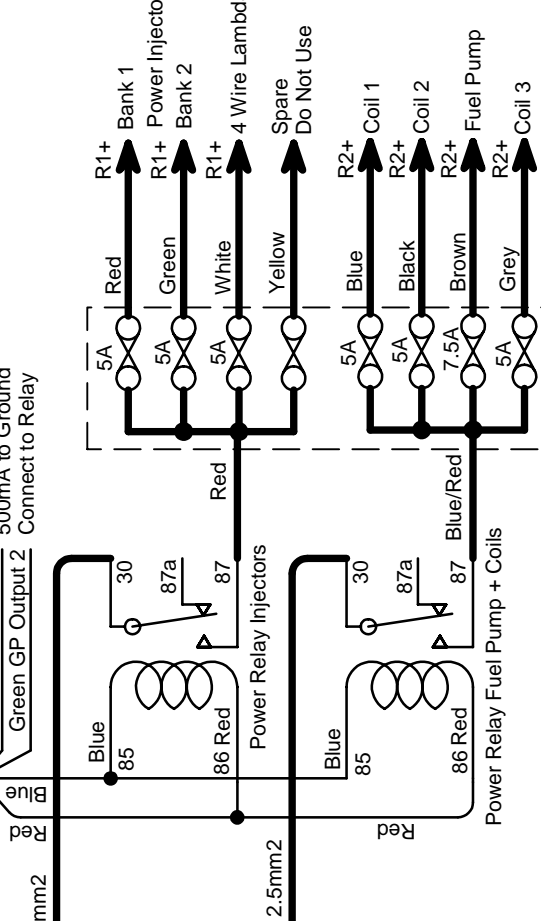
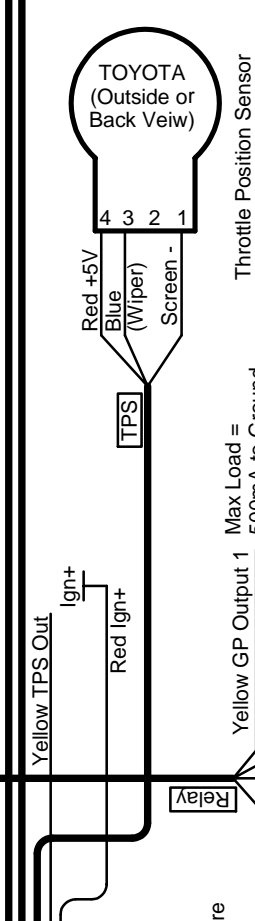
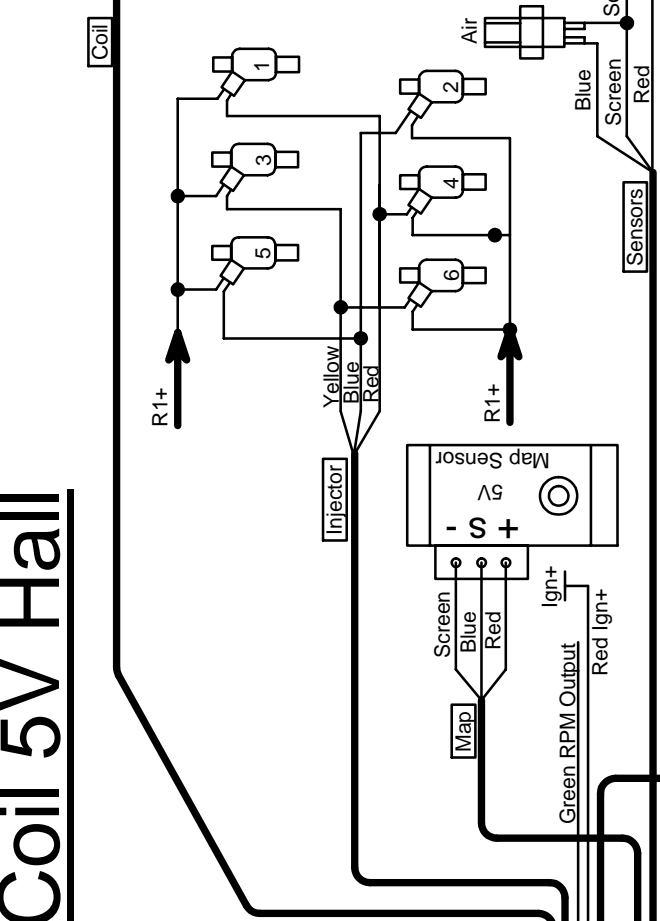
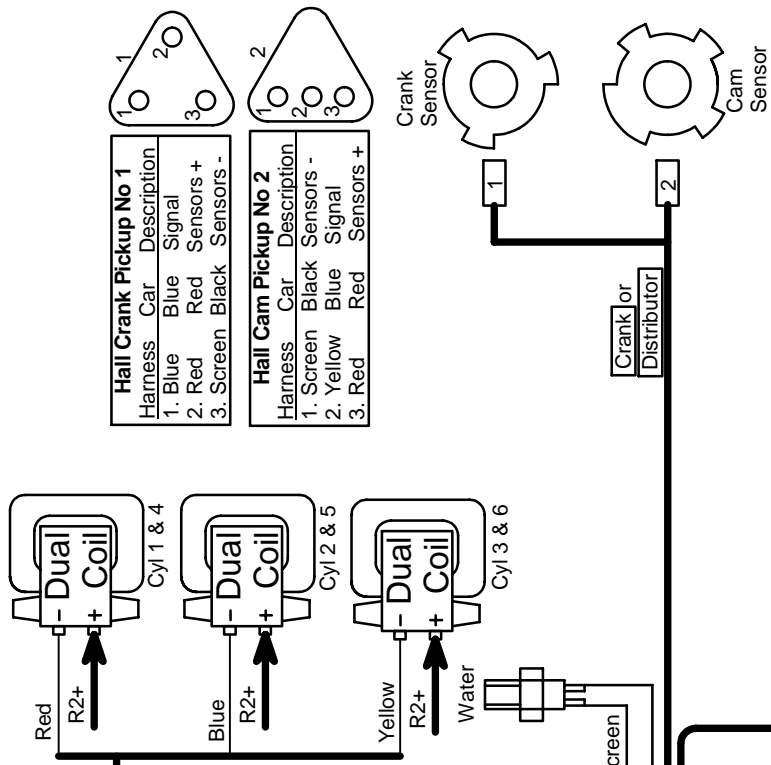
Ign+ Ignition Power  
Earth

**Terminal Connections with the same name are tied together**

**Led's Functions**  
Yellow - Power  
Green - RPM Pulse



Use 2.5mm or larger wire if enclosure is not earthed to body



Harness Pin View

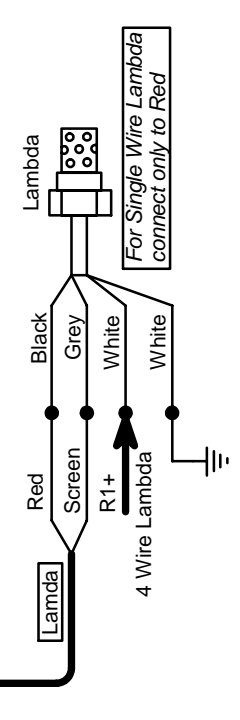
6	7	8	9	10
1	2	3	4	5

- 1. Blue - Coil 2-
- 2. Yellow - Injector 3&6
- 3. Red - Injector 1&4
- 4. Blue - Fuel Relay
- 5. Yellow - GP Output 1
- 6. Red - Coil 1-
- 7. Yellow - Coil 3-
- 8. Blue - Injector 2&5
- 9. Green - RPM Output
- 10. Green - GP Output 2

Harness Pin View

7	8	9	10	11	12
1	2	3	4	5	6

- 1. Blue - Air Temp Sensor
- 2. Blue - TPS Sensor
- 3. Blue - Map Sensor
- 4. - Input Spare
- 5. Yellow - Cam Sensor
- 6. Blue - Crank Sensor
- 7. Red - Water Temp Sensor
- 8. Red - Lamda Sensor
- 9. Red - +5V Output
- 10. Red - +12V Ign Input
- 11. - Magnetic Input 2+
- 12. - Magnetic Input 1+



For Single Wire Lambda connect only to Red

