

# Nissan 4Cyl W/Spark 5V Hall

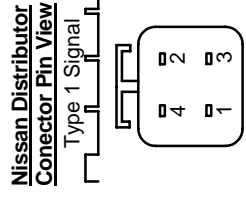
Harness Required: E03 Ver 1.0 & E04 Ver 1.0

Last Changed: 24/04/2008

Drawing Ver: 1.0

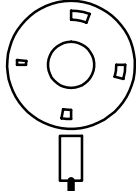
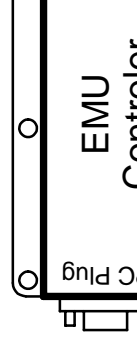
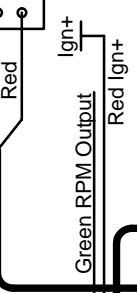
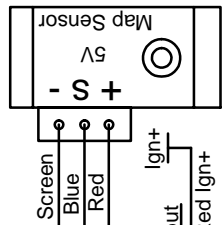
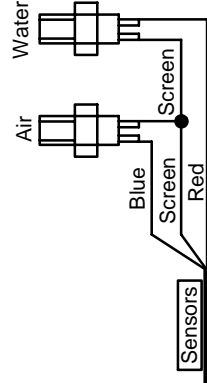
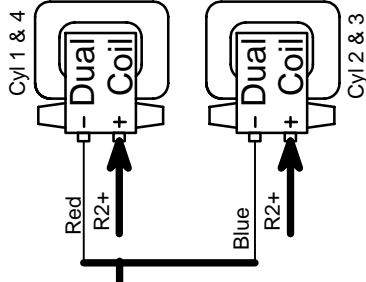
Ign+ Ignition Power  
 Earth  
**Terminal Connections with the same name are tied together**

**Led's Functions**  
 Yellow - Power  
 Green - RPM Pulse



**Optic / Hall Pickup**

Harness	Description
1. Screen	Earth
2. Red	+12V
3.	Degrees Pulse
4. Blue	Slot Fire Pulse



Optic Distributor Sensor

**Harness Pin View**

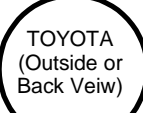
6	7	8	9	10
1	2	3	4	5

- 1. Blue - Coil 2 & 3
- 2. Blue - Injector 1&4
- 3. Blue - Fuel Relay
- 5. Yellow - GP Output 1
- 6. Red - Coil 1 & 4
- 8. Red - Injector 2&3
- 9. Green - RPM Output
- 10. Green - GP Output 2

**Harness Pin View**

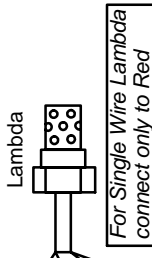
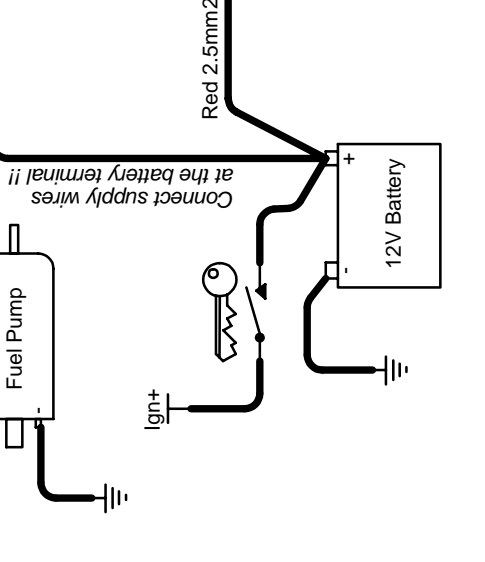
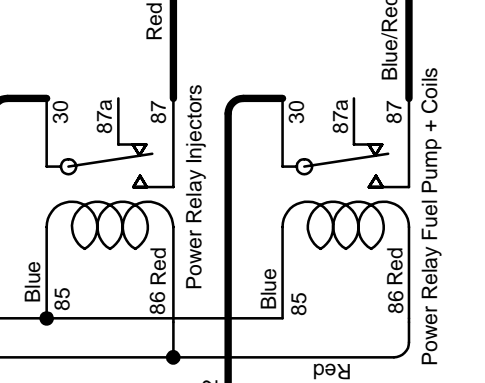
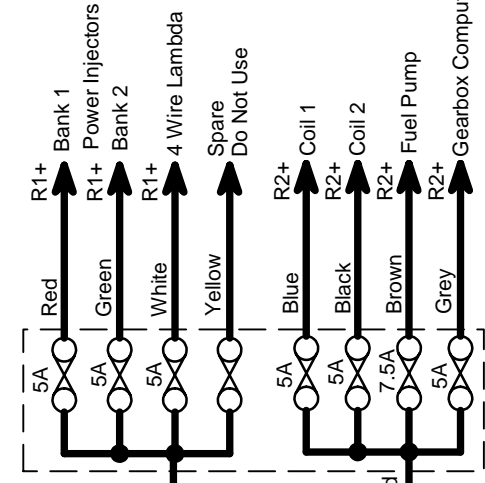
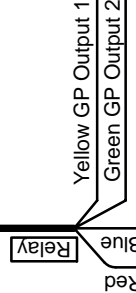
7	8	9	10	11	12
1	2	3	4	5	6

- 1. Blue - Air Temp Sensor
- 2. Blue - TPS Sensor
- 3. Blue - Map Sensor
- 4. - Input Spare
- 5. - Hall Input 2
- 6. Blue - Hall Input 1
- 7. Red - Water Temp Sensor
- 8. Red - Lamda Sensor
- 9. Red - +5V Output
- 10. Red - +12V Ign Input
- 11. - Magnetic Input 2+
- 12. - Magnetic Input 1+

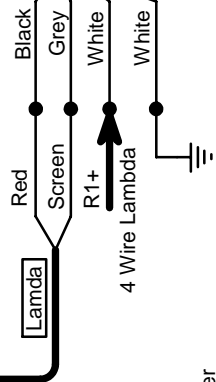


Throttle Position Sensor

Max Load = 500mA to Ground  
 Connect to Relay



For Single Wire Lambda connect only to Red



4 Wire Lambda