

2Trig 6Cyl 3Coil 5V Mag

Harness Required: E11 Ver 1.0 & E09 Ver 1.0

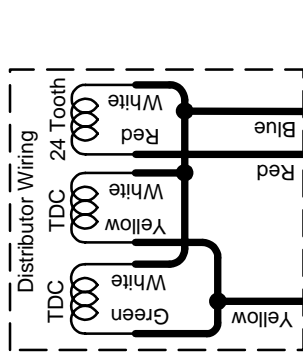
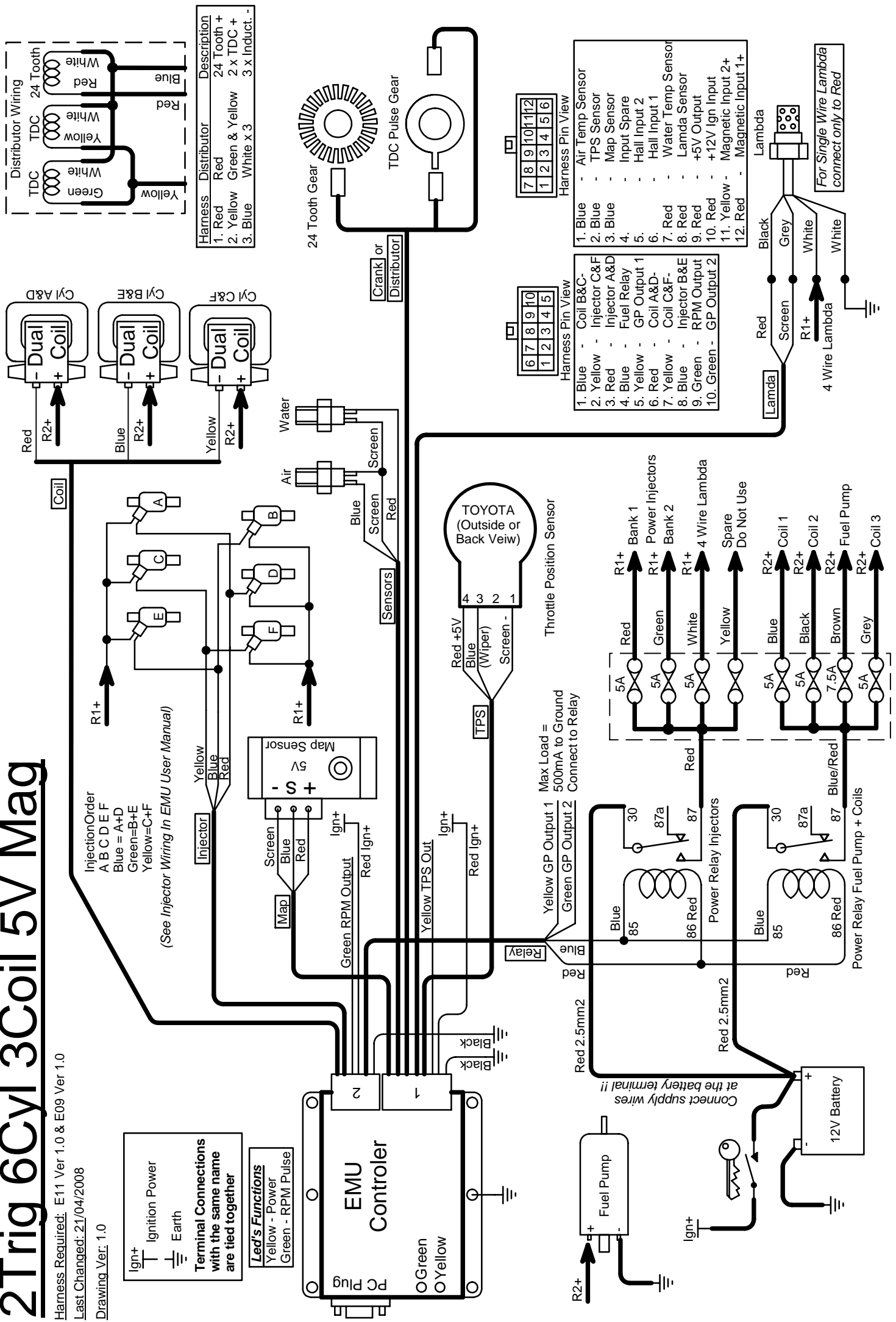
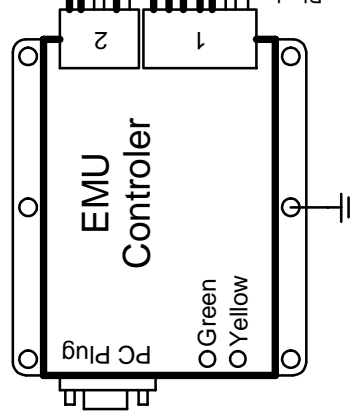
Last Changed: 21/04/2008

Drawing Ver: 1.0

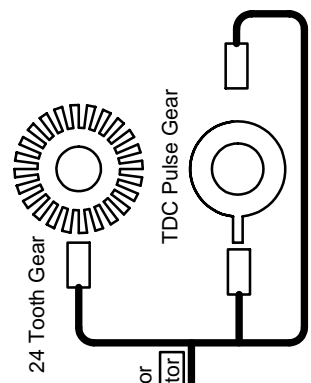
Ign+ Ignition Power
Earth

Terminal Connections with the same name are tied together

Led's Functions
Yellow - Power
Green - RPM Pulse



Harness	Distributor	Description
1. Red	Red	24 Tooth +
2. Yellow	Green & Yellow	2 x TDC +
3. Blue	White x 3	3 x Induct. -



Harness Pin View

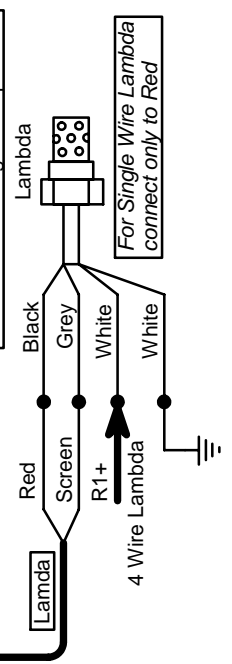
6	7	8	9	10
1	2	3	4	5

- 1. Blue - Coil B&C-
- 2. Yellow - Injector C&F
- 3. Red - Injector A&D
- 4. Blue - Fuel Relay
- 5. Yellow - GP Output 1
- 6. Red - Coil A&D-
- 7. Yellow - Coil C&F-
- 8. Blue - Injector B&E
- 9. Green - RPM Output
- 10. Green - GP Output 2

Harness Pin View

7	8	9	10	11	12
1	2	3	4	5	6

- 1. Blue - Air Temp Sensor
- 2. Blue - TPS Sensor
- 3. Blue - Map Sensor
- 4. - Input Spare
- 5. - Hall Input 2
- 6. - Hall Input 1
- 7. Red - Water Temp Sensor
- 8. Red - Lambda Sensor
- 9. Red - +5V Output
- 10. Red - +12V Ign Input
- 11. Yellow - Magnetic Input 2+
- 12. Red - Magnetic Input 1+



TOYOTA (Outside or Back View)

Throttle Position Sensor

Max Load = 500mA to Ground
Connect to Relay

