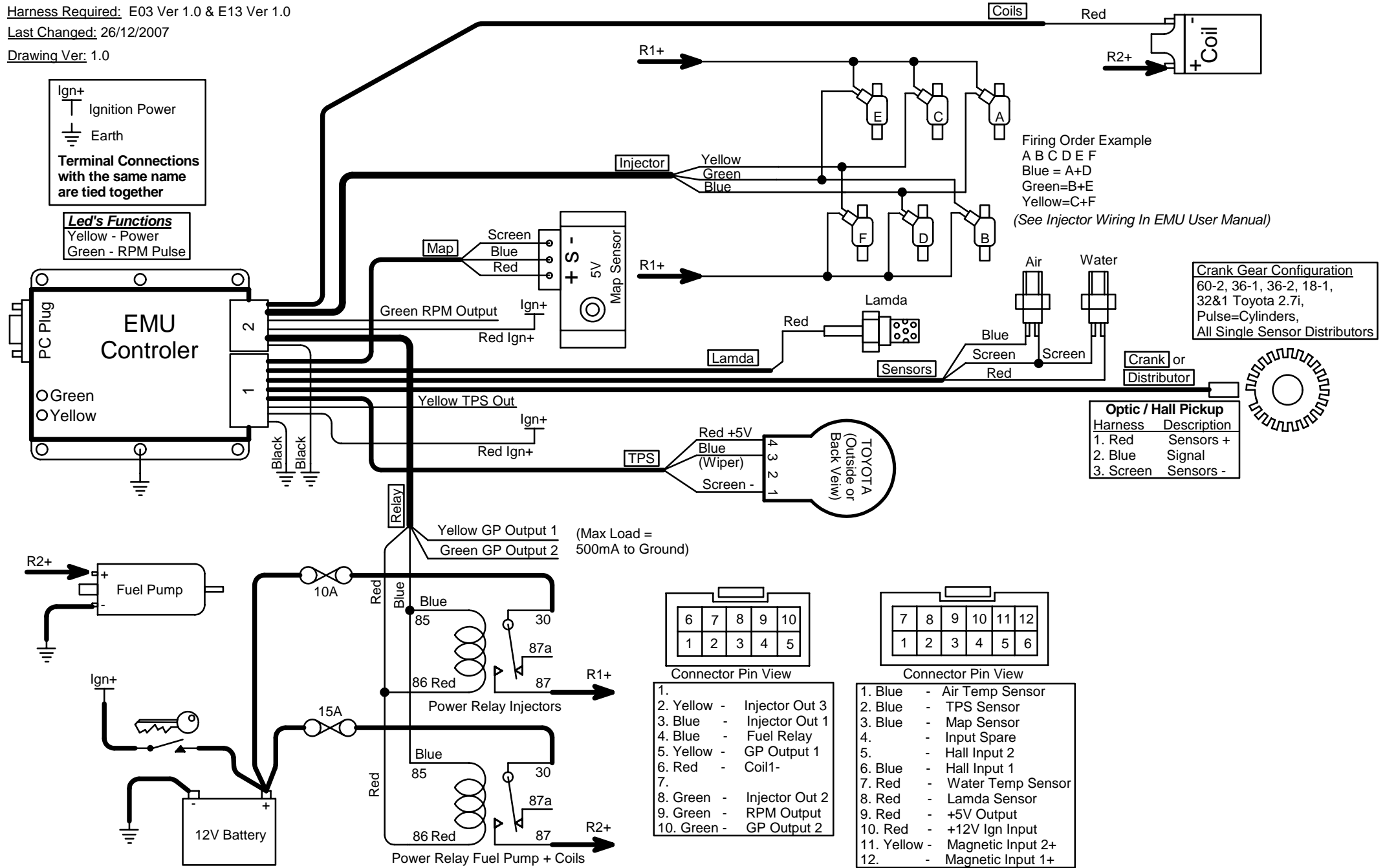


1Trig 6Cyl 1Coil 5V Hall

Harness Required: E03 Ver 1.0 & E13 Ver 1.0

Last Changed: 26/12/2007

Drawing Ver: 1.0



Ign+
| Ignition Power
Earth
Terminal Connections
with the same name
are tied together

Led's Functions
Yellow - Power
Green - RPM Pulse

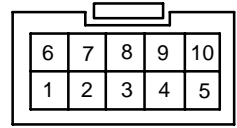
Firing Order Example
A B C D E F
Blue = A+D
Green=B+E
Yellow=C+F
(See Injector Wiring In EMU User Manual)

Crank Gear Configuration
60-2, 36-1, 36-2, 18-1,
32&1 Toyota 2.7i,
Pulse=Cylinders,
All Single Sensor Distributors

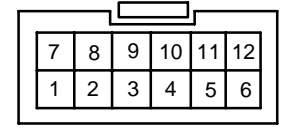
Optic / Hall Pickup

Harness	Description
1. Red	Sensors +
2. Blue	Signal
3. Screen	Sensors -

(Max Load = 500mA to Ground)



- Connector Pin View
1. Blue - Air Temp Sensor
 2. Yellow - Injector Out 3
 3. Blue - Injector Out 1
 4. Blue - Fuel Relay
 5. Yellow - GP Output 1
 6. Red - Coil1-
 - 7.
 8. Green - Injector Out 2
 9. Green - RPM Output
 10. Green - GP Output 2



- Connector Pin View
1. Blue - Air Temp Sensor
 2. Blue - TPS Sensor
 3. Blue - Map Sensor
 4. - Input Spare
 5. - Hall Input 2
 6. Blue - Hall Input 1
 7. Red - Water Temp Sensor
 8. Red - Lamda Sensor
 9. Red - +5V Output
 10. Red - +12V Ign Input
 11. Yellow - Magnetic Input 2+
 12. - Magnetic Input 1+