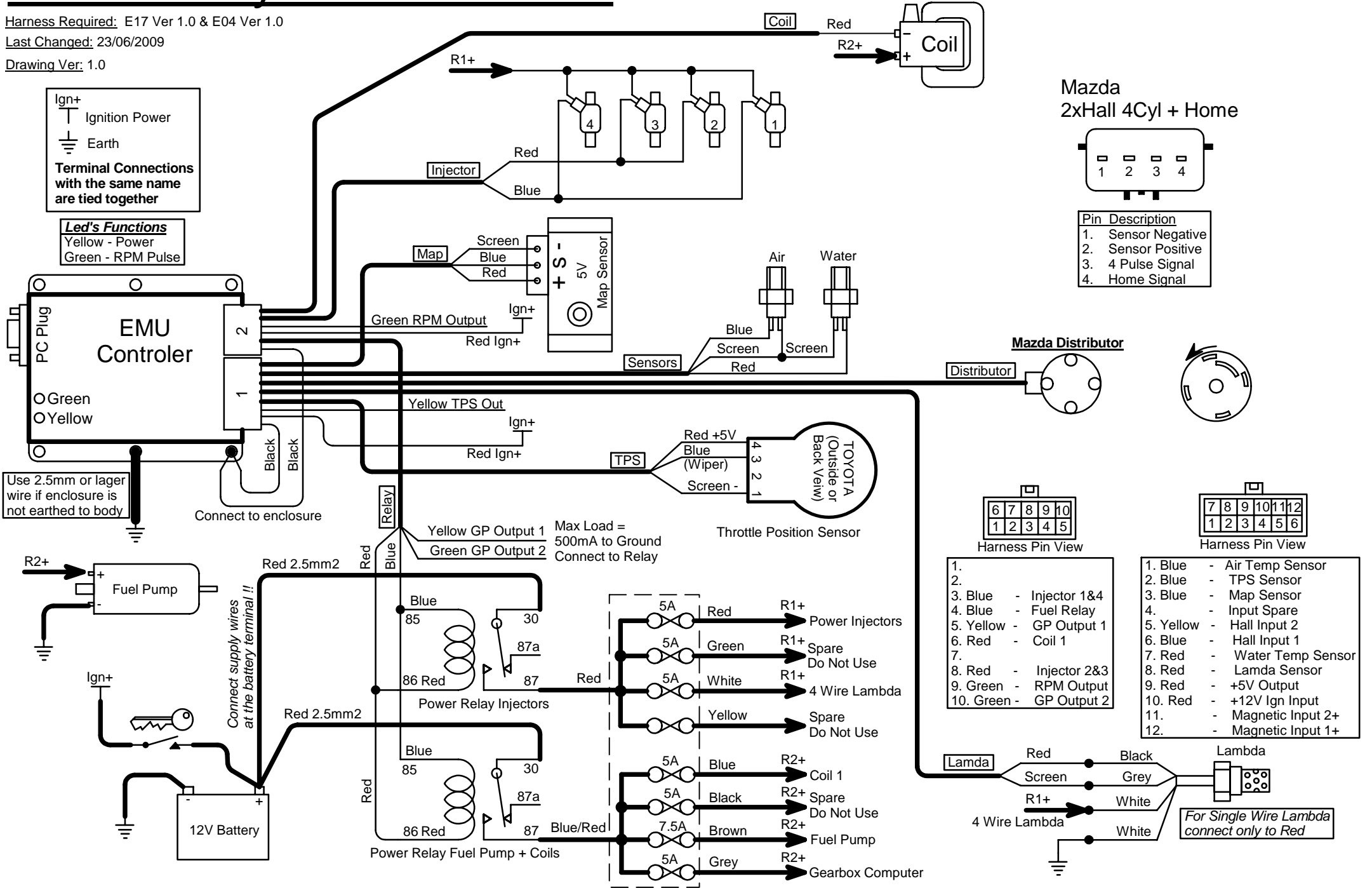


Mazda 4Cyl 1Coil 5V Hall

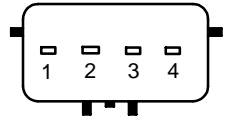
Harness Required: E17 Ver 1.0 & E04 Ver 1.0

Last Changed: 23/06/2009

Drawing Ver: 1.0



Mazda
2xHall 4Cyl + Home



Pin	Description
1.	Sensor Negative
2.	Sensor Positive
3.	4 Pulse Signal
4.	Home Signal

Harness Pin View

6	7	8	9	10
1	2	3	4	5

Harness Pin View

7	8	9	10	11	12
1	2	3	4	5	6

- 1. Red - Coil 1
- 2. Blue - Fuel Relay
- 3. Blue - Injector 1&4
- 4. Blue - Fuel Relay
- 5. Yellow - GP Output 1
- 6. Red - Coil 1
- 7. Red - Injector 2&3
- 8. Green - RPM Output
- 9. Green - GP Output 2
- 10. Green - GP Output 2

- 1. Blue - Air Temp Sensor
- 2. Blue - TPS Sensor
- 3. Blue - Map Sensor
- 4. - Input Spare
- 5. Yellow - GP Output 1
- 6. Blue - Hall Input 1
- 7. Red - Water Temp Sensor
- 8. Red - Lambda Sensor
- 9. Red - +5V Output
- 10. Red - +12V Ign Input
- 11. - Magnetic Input 2+
- 12. - Magnetic Input 1+