

# Mazda MX6 1Coil 5V Hall

Harness Required: E17 Ver 1.0 & E13 Ver 1.0

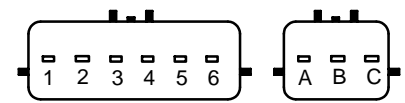
Last Changed: 05/02/2009

Drawing Ver: 1.0

## For internal coil use in Distributor

1 Must be earthed  
470 Ohm Resistor between 2&A  
Set Trigger Level Output to External

## Mazda 6cyl Distributor



Pin	Description	Pin	Description
1.	Earth	A.	Coil Positive
2.	Trigger	B.	Revcounter
3.	Home Signal	C.	Coil Negative
4.	6 Slot Signal		
5.	Sensor Positive		
6.	Sensor Negative		

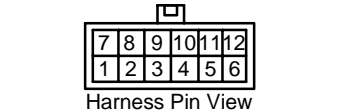
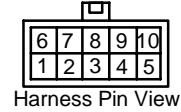
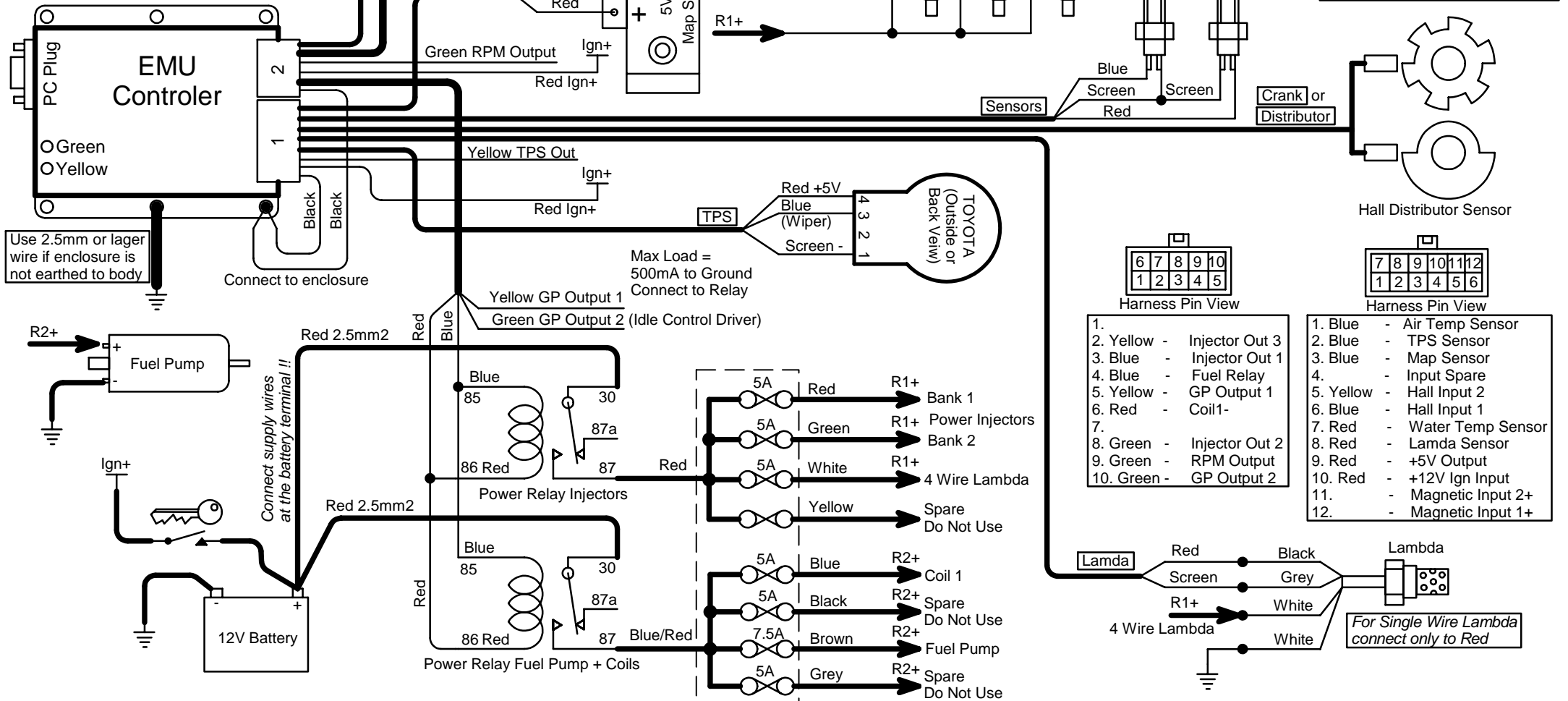
## Crank Cable

Harness	Description
6. Screen	Sensor Negative
5. Red	+12V Sensor Positive
4. Blue	6 Slot Signal
3. Yellow	Home Signal

**Terminal Connections with the same name are tied together**

**Ign+** Ignition Power  
**Earth** Earth

**Led's Functions**  
Yellow - Power  
Green - RPM Pulse



- 1. Yellow - Injector Out 3
- 2. Blue - Injector Out 1
- 3. Blue - Fuel Relay
- 4. Yellow - GP Output 1
- 5. Red - Coil 1-
- 6. Red - Coil 2-
- 7. Green - Injector Out 2
- 8. Green - RPM Output
- 9. Green - GP Output 2

- 1. Blue - Air Temp Sensor
- 2. Blue - TPS Sensor
- 3. Blue - Map Sensor
- 4. - Input Spare
- 5. Yellow - Hall Input 2
- 6. Blue - Hall Input 1
- 7. Red - Water Temp Sensor
- 8. Red - Lambda Sensor
- 9. Red - +5V Output
- 10. Red - +12V Ign Input
- 11. - Magnetic Input 2+
- 12. - Magnetic Input 1+