

1Trig 4Cyl 4Coil 12V Mag

Harness Required: E14 Ver 1.0 & E12 Ver 1.0

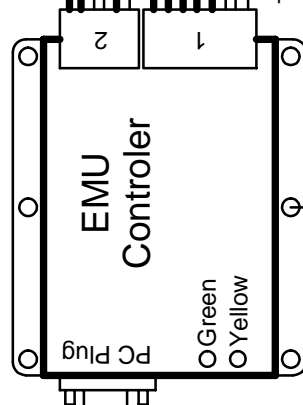
Last Changed: 08/05/2008

Drawing Ver: 1.0

Ign+ Ignition Power
Earth

Terminal Connections with the same name are tied together

Led's Functions
Yellow - Power
Green - RPM Pulse



Crank Gear Configuration
60-2, 36-1, 36-2, 18-1, 32&1 Toyota 2.7i, Pulse=Cylinders, All Single Sensor Distributors

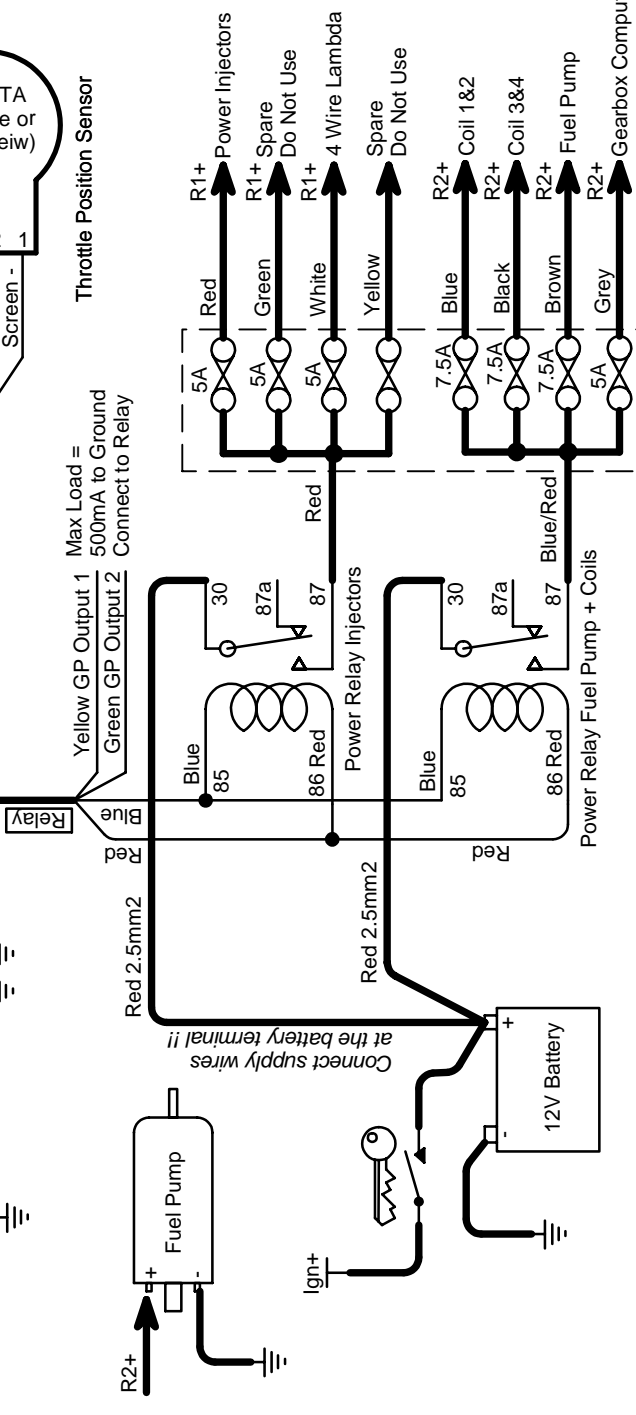
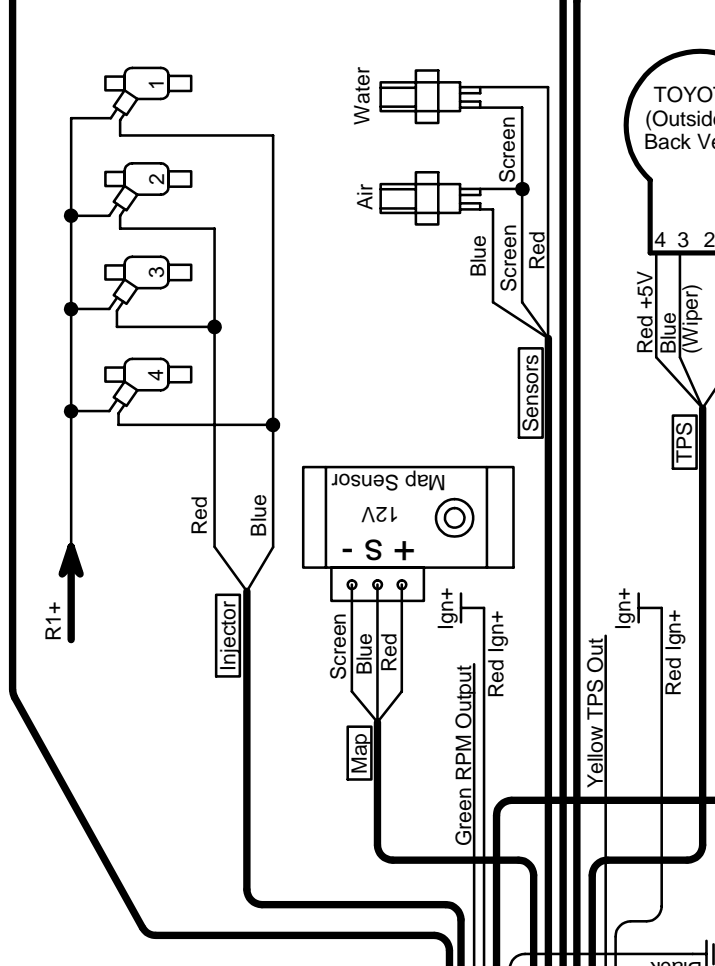
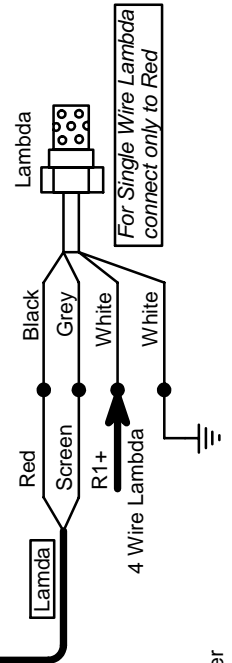
Magnetic Pickup	Harness Description
Red	Sensor +
Blue	Sensor -

Harness Pin View						
6	7	8	9	10	11	12
1	2	3	4	5	6	7

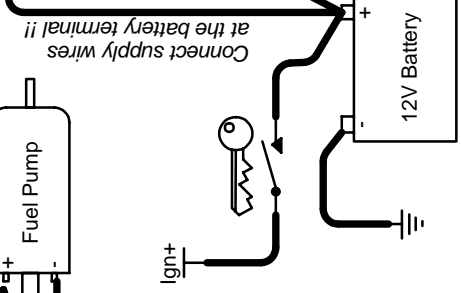
- 1. Yellow - Coil 2-
- 2. Blue - Coil 3-
- 3. Red - Injector 2&3
- 4. Blue - Fuel Relay
- 5. Yellow - GP Output 1
- 6. Red - Coil 1-
- 7. Green - Coil 4-
- 8. Blue - Injector 1&4
- 9. Green - RPM Output
- 10. Green - GP Output 2

Harness Pin View					
7	8	9	10	11	12
1	2	3	4	5	6

- 1. Blue - Air Temp Sensor
- 2. Blue - TPS Sensor
- 3. Blue - Map Sensor
- 4. - Input Spare
- 5. - Hall Input 2
- 6. - Hall Input 1
- 7. Red - Water Temp Sensor
- 8. Red - Lambda Sensor
- 9. Red - +5V Output
- 10. Red - +12V Ign Input
- 11. - Magnetic Input 2+
- 12. Red - Magnetic Input 1+



Max Load = 500mA to Ground
Connect to Relay



For Single Wire Lambda connect only to Red