

# Nissan 6Cyl 3Coil 12V Hall

Harness Required: E16 Ver 1.0 & E09 Ver 1.0

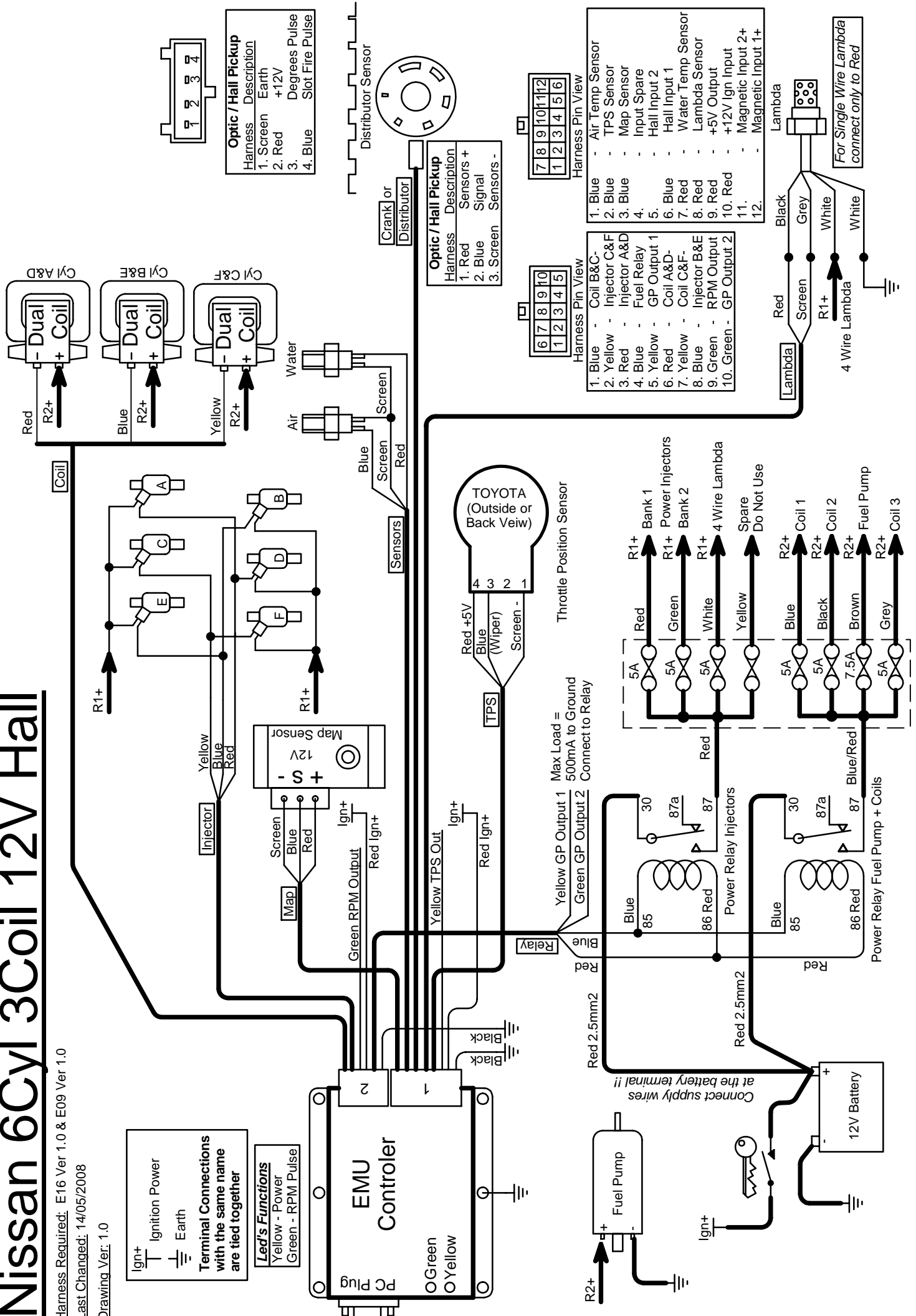
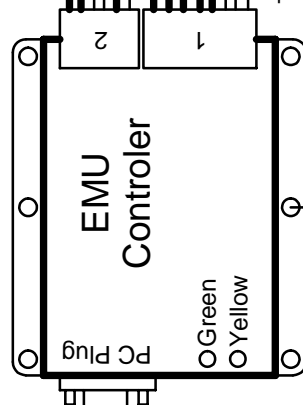
Last Changed: 14/05/2008

Drawing Ver: 1.0

Ign+ Ignition Power  
Earth

**Terminal Connections with the same name are tied together**

**Led's Functions**  
Yellow - Power  
Green - RPM Pulse



**Optic / Hall Pickup**

Harness	Description
1. Screen	Earth
2. Red	+12V
3. Degrees Pulse	Degrees Pulse
4. Blue	Slot Fire Pulse

**Optic / Hall Pickup**

Harness	Description
1. Red	Sensors +
2. Blue	Signal
3. Screen	Sensors -

**Harness Pin View**

6	7	8	9	10
1	2	3	4	5

1. Blue	-	Coil B&C-
2. Yellow	-	Injector C&F
3. Red	-	Injector A&D
4. Blue	-	Fuel Relay
5. Yellow	-	GP Output 1
6. Red	-	Coil A&D-
7. Yellow	-	Coil C&F-
8. Blue	-	Injector B&E
9. Green	-	RPM Output
10. Green	-	GP Output 2

**Harness Pin View**

7	8	9	10	11	12
1	2	3	4	5	6

1. Blue	-	Air Temp Sensor
2. Blue	-	TPS Sensor
3. Blue	-	Map Sensor
4.	-	Input Spare
5.	-	Hall Input 2
6. Blue	-	Hall Input 1
7. Red	-	Water Temp Sensor
8. Red	-	Lambda Sensor
9. Red	-	+5V Output
10. Red	-	+12V Ign Input
11.	-	Magnetic Input 2+
12.	-	Magnetic Input 1+

