

Toyota 4Cyl 1Coil 12V Mag

Harness Required: E15 Ver 1.0 & E04 Ver 1.0

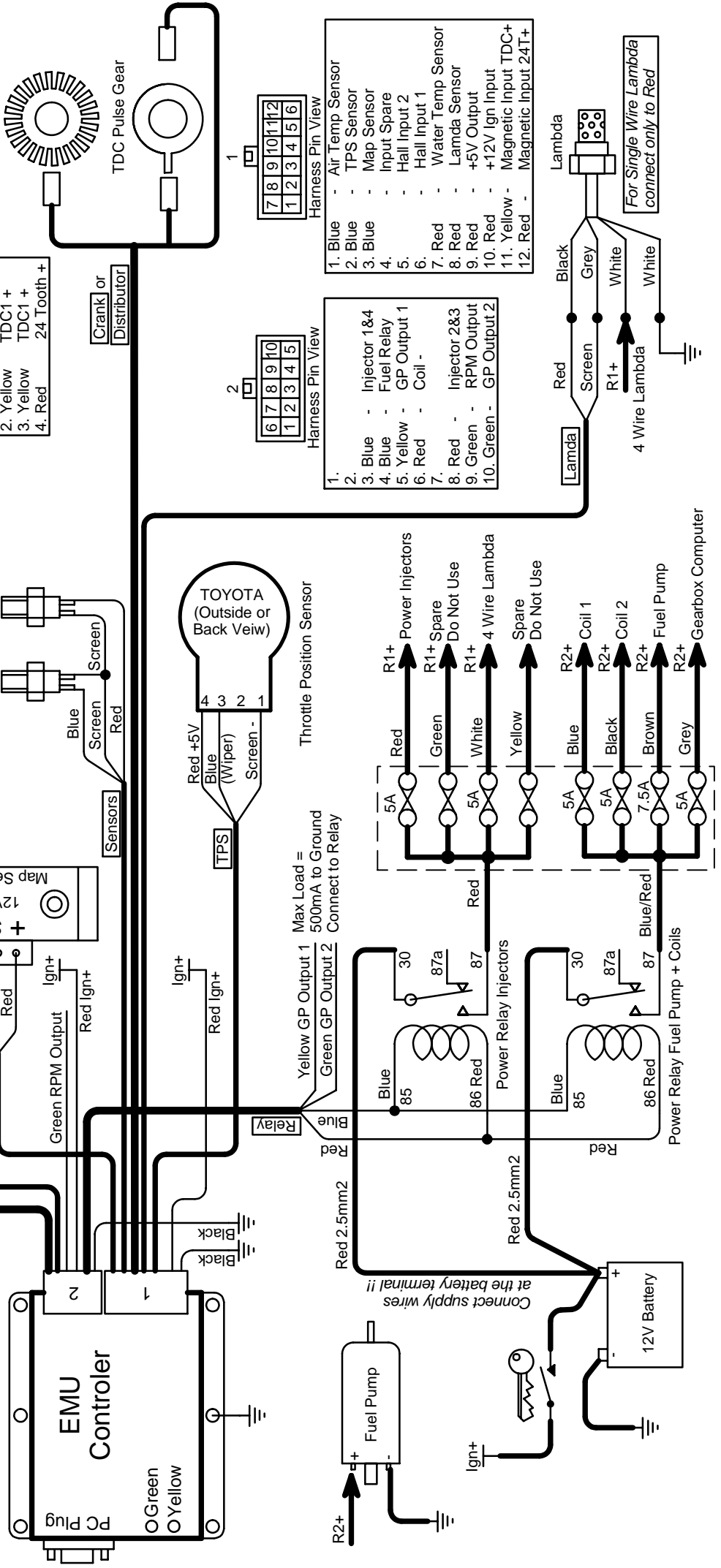
Last Changed: 15/07/2008

Drawing Ver: 1.0

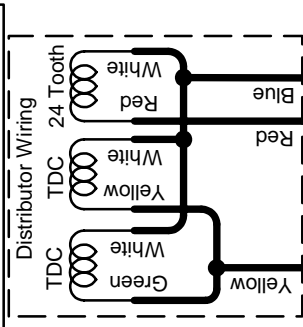
Ign+ Ignition Power
Earth

Terminal Connections with the same name are tied together

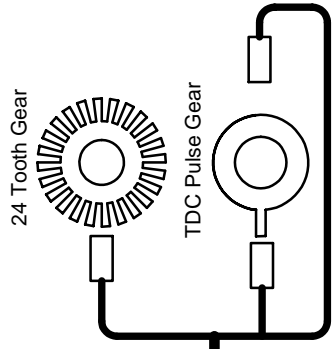
Led's Functions
Yellow - Power
Green - RPM Pulse



Harness	Distributor	Description
1. Red	Red	24 Tooth +
2. Yellow	Green & Yellow	2 x TDC +
3. Blue	White x 3	3 x Induct. -



Harness	Description
1. Blue	Common
2. Yellow	TDC1 +
3. Yellow	TDC1 +
4. Red	24 Tooth +



Harness Pin View	
6	7
7	8
8	9
9	10
10	11
11	12
1	2
2	3
3	4
4	5
5	6

1.	Blue	-	Injector 1&4
2.	Blue	-	Fuel Relay
3.	Blue	-	GP Output 1
4.	Yellow	-	GP Output 1
5.	Yellow	-	Coil -
6.	Red	-	
7.	Red	-	
8.	Red	-	Injector 2&3
9.	Green	-	RPM Output
10.	Green	-	GP Output 2

1.	Blue	-	Air Temp Sensor
2.	Blue	-	TPS Sensor
3.	Blue	-	Map Sensor
4.	Blue	-	Input Spare
5.	Blue	-	Hall Input 2
6.	Blue	-	Hall Input 1
7.	Red	-	Water Temp Sensor
8.	Red	-	Lambda Sensor
9.	Red	-	+5V Output
10.	Red	-	+12V Ign Input
11.	Yellow	-	Magnetic Input TDC+
12.	Red	-	Magnetic Input 24T+

