

Toyota 4Cyl W/Spark 12V Mag

Harness Required: E15 Ver 1.0 & E04 Ver 1.0

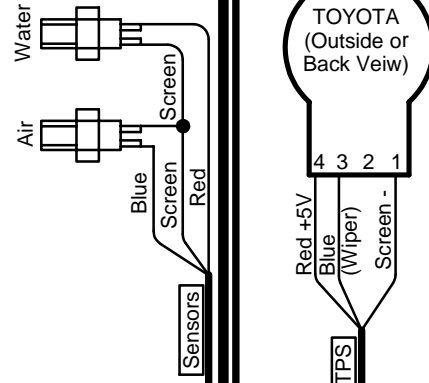
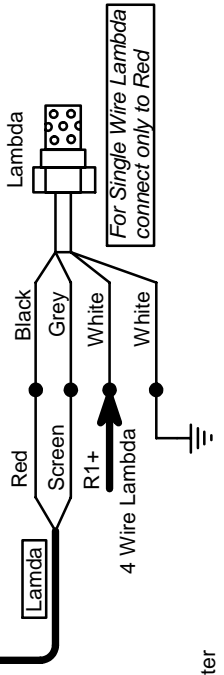
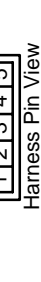
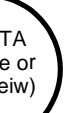
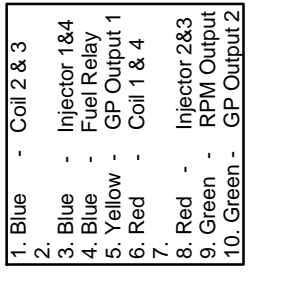
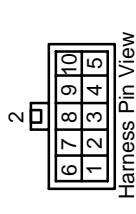
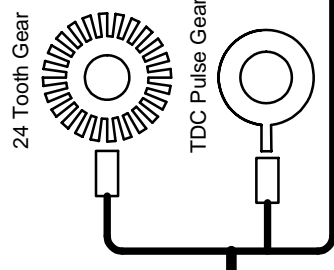
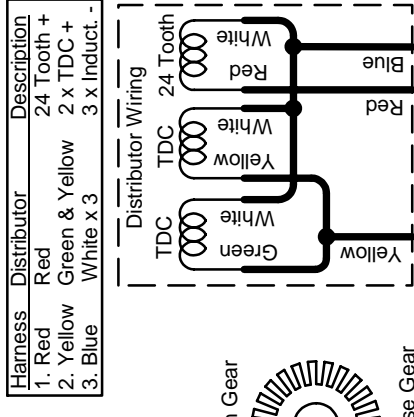
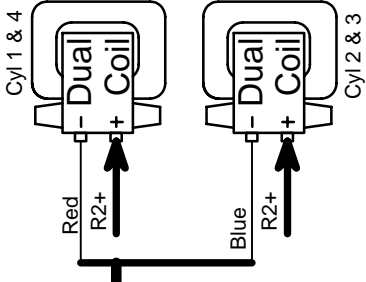
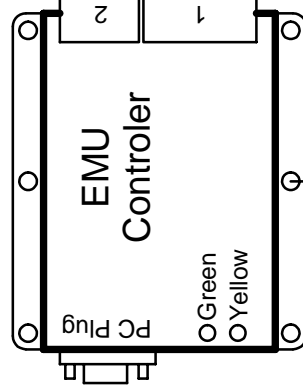
Last Changed: 22/04/2008

Drawing Ver: 1.0

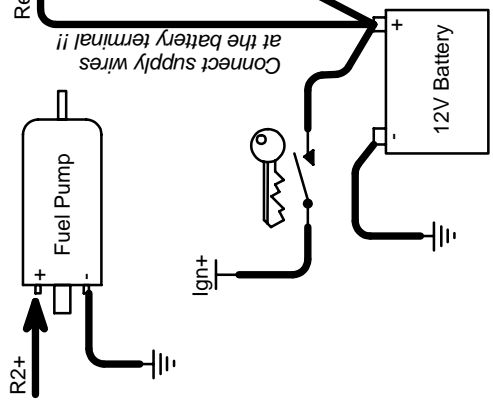
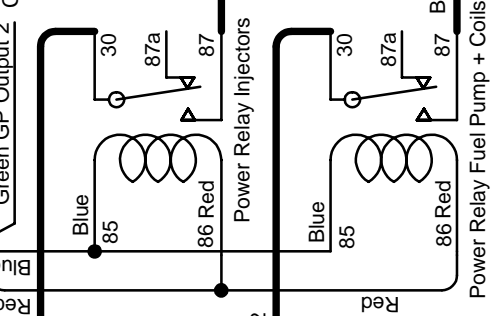
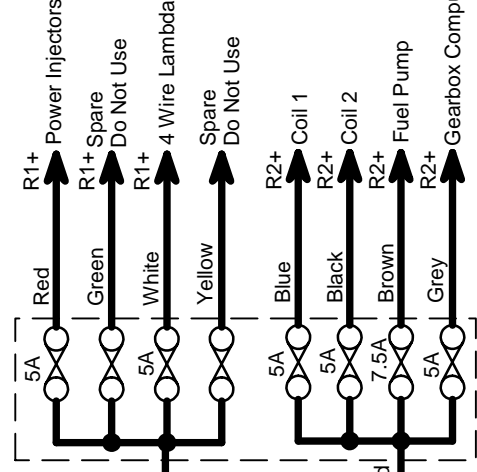
Ign+ Ignition Power
Earth

Terminal Connections with the same name are tied together

Led's Functions
Yellow - Power
Green - RPM Pulse



Max Load = 500mA to Ground
Connect to Relay



Connect supply wires at the battery terminal !!