

1Trig 4Cyl Wasted Spark 5V Mag

Harness Required: E01 Ver 1.1 & E04 Ver 1.0

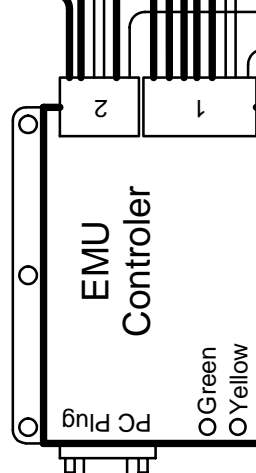
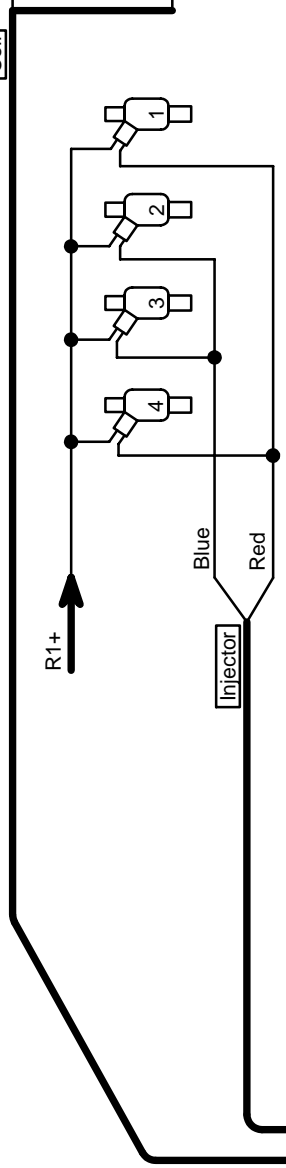
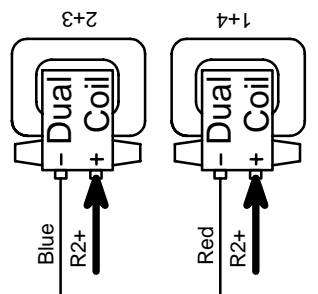
Last Changed: 22/04/2008

Drawing Ver: 1.0

Ign+ Ignition Power
 Earth
Terminal Connections with the same name are tied together

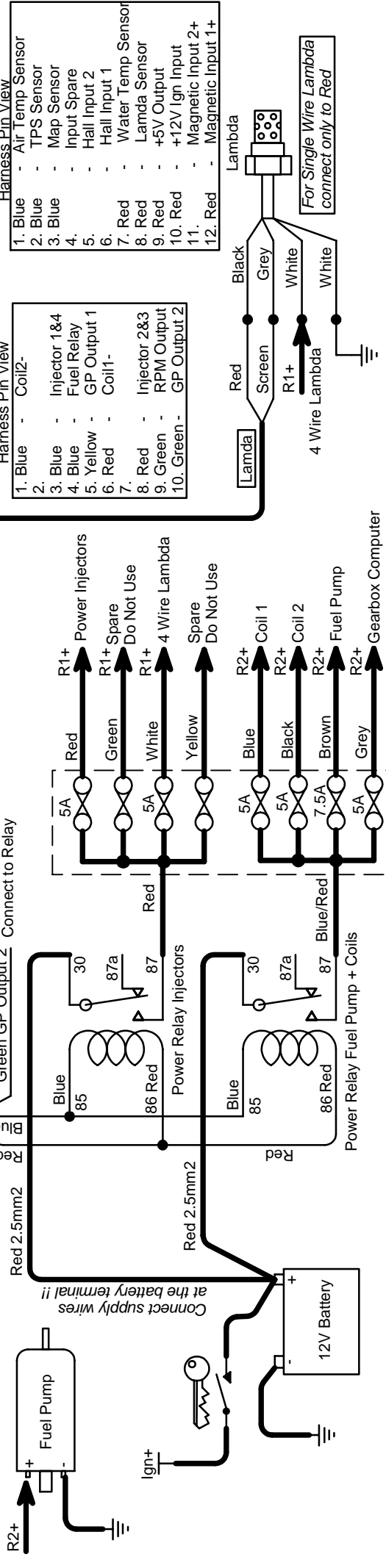
Led's Functions
 Yellow - Power
 Green - RPM Pulse

Crank Gear Configuration
 60-2, 36-1, 36-2, 18-1,
 32&1 Toyota 2.7i,
 Pulse=Cylinders,
 All Single Sensor Distributors



Use 2.5mm or larger wire if enclosure is not earthed to body

Max Load = 500mA to Ground
 Connect to Relay



Harness Pin View

6	7	8	9	10
1	2	3	4	5

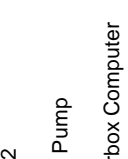
Pin	Description
1. Blue	- Coil 2-
2. Blue	- Injector 1&4
3. Blue	- Fuel Relay
4. Blue	- GP Output 1
5. Yellow	- Coil 1-
6. Red	-
7. Red	- Injector 2&3
8. Red	- RPM Output
9. Green	- GP Output 2
10. Green	-

Harness Pin View

7	8	9	10	11	12
1	2	3	4	5	6

Pin	Description
1. Blue	- Air Temp Sensor
2. Blue	- TPS Sensor
3. Blue	- Map Sensor
4. -	- Input Spare
5. -	- Hall Input 2
6. -	- Hall Input 1
7. Red	- Water Temp Sensor
8. Red	- Lambda Sensor
9. Red	- +5V Output
10. Red	- +12V Ign Input
11. -	- Magnetic Input 2+
12. Red	- Magnetic Input 1+

For Single Wire Lambda connect only to Red



Connect supply wires at the battery terminal !!

