

# Toyota Lexus V8 - EMU

Harness Required: E01 Ver 1.1 & E02 Ver 1.1

Last Changed: 14/08/2009

Drawing Ver: 1.1

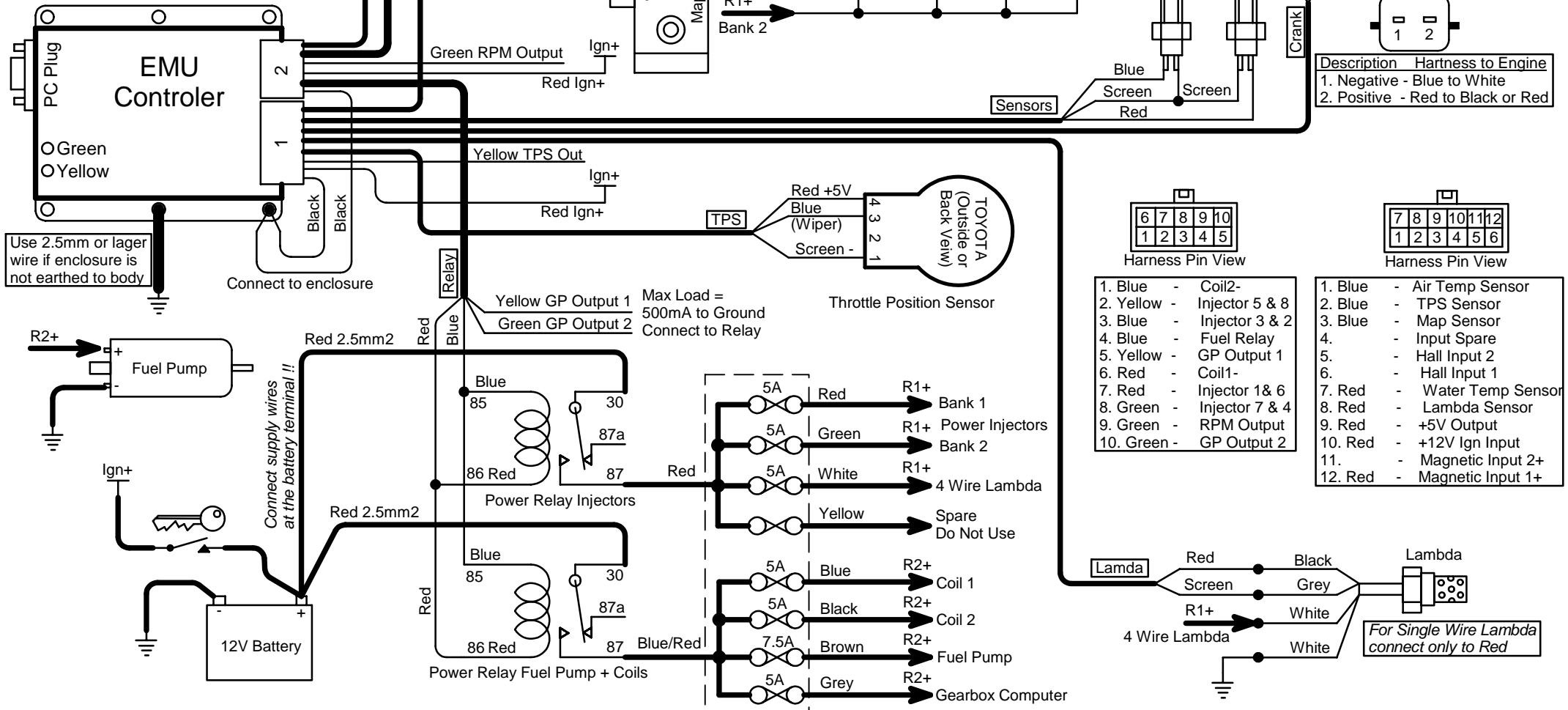
**Terminal Connections with the same name are tied together**

**Ign+**  
Ignition Power

**Earth**  
Earth

**Led's Functions**

Yellow - Power  
Green - RPM Pulse



Use 2.5mm or larger wire if enclosure is not earthed to body

Connect to enclosure

Connect supply wires at the battery terminal !!

Max Load = 500mA to Ground  
Connect to Relay

Description	Harness to Engine
1. Negative - Blue to White	
2. Positive - Red to Black or Red	

Harness Pin View									
6	7	8	9	10					
1	2	3	4	5					

Harness Pin View											
7	8	9	10	11	12						
1	2	3	4	5	6						

- 1. Blue - Coil2-
- 2. Yellow - Injector 5 & 8
- 3. Blue - Injector 3 & 2
- 4. Blue - Fuel Relay
- 5. Yellow - GP Output 1
- 6. Red - Coil1-
- 7. Red - Injector 1 & 6
- 8. Green - Injector 7 & 4
- 9. Green - RPM Output
- 10. Green - GP Output 2

- 1. Blue - Air Temp Sensor
- 2. Blue - TPS Sensor
- 3. Blue - Map Sensor
- 4. - Input Spare
- 5. - Hall Input 2
- 6. - Hall Input 1
- 7. Red - Water Temp Sensor
- 8. Red - Lambda Sensor
- 9. Red - +5V Output
- 10. Red - +12V Ign Input
- 11. - Magnetic Input 2+
- 12. Red - Magnetic Input 1+

For Single Wire Lambda connect only to Red