

Nissan 4Cyl 5V Hall

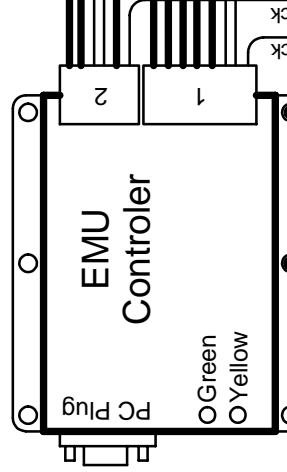
Harness Required: E03 Ver 1.0 & E12 Ver 1.0

Last Changed: 09/06/2008

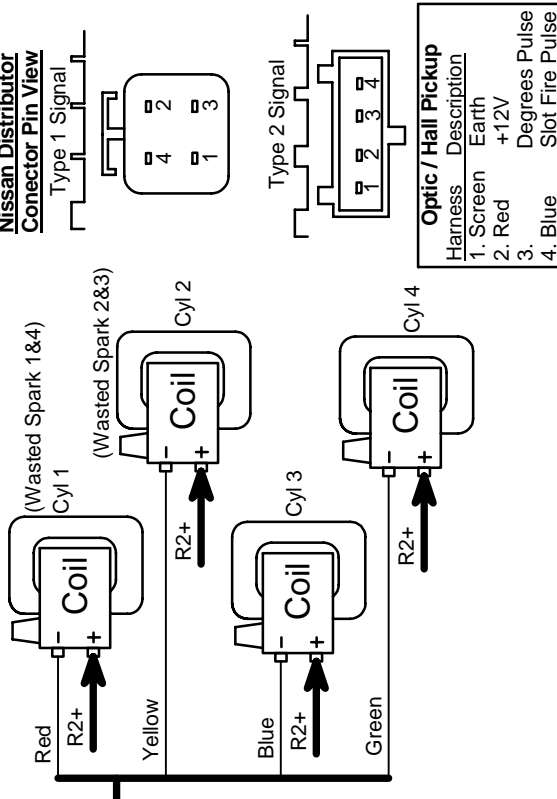
Drawing Ver: 1.0

Ign+ Ignition Power
 Earth
Terminal Connections with the same name are tied together

Led's Functions
 Yellow - Power
 Green - RPM Pulse

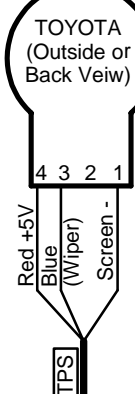
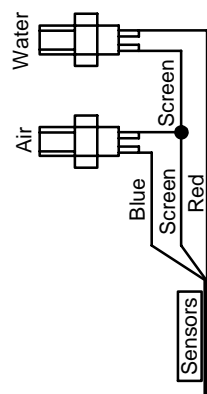
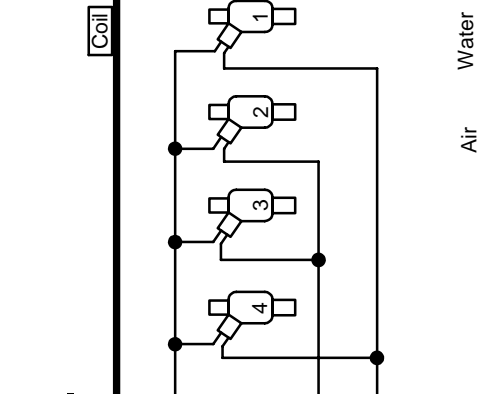


Use 2.5mm or larger wire if enclosure is not earthed to body

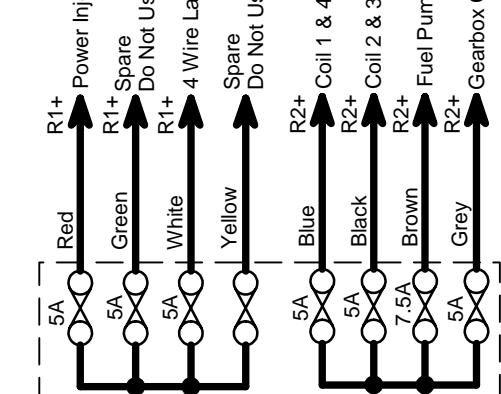


Optic / Hall Pickup

Harness	Description
1. Screen	Earth
2. Red	+12V
3.	Degrees Pulse
4. Blue	Slot Fire Pulse



Max Load = 500mA to Ground
 Connect to Relay



Harness Pin View

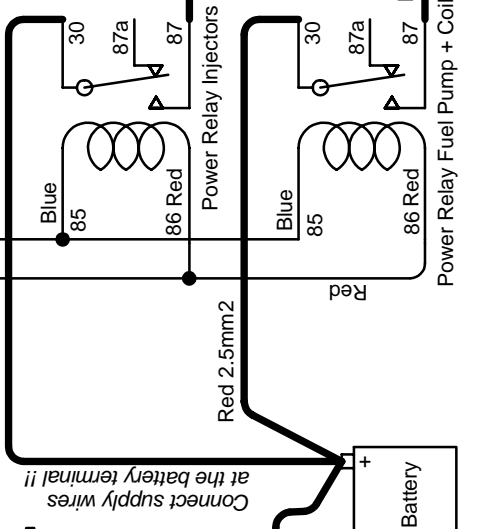
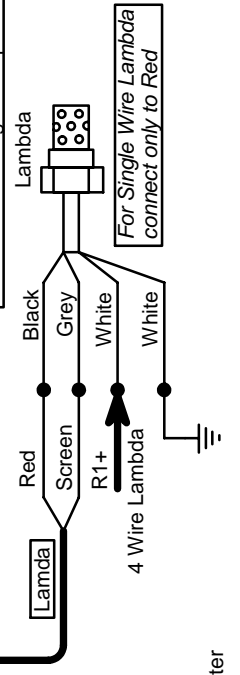
1. Blue	Air Temp Sensor
2. Blue	TPS Sensor
3. Blue	Map Sensor
4. Blue	Input Spare
5. Yellow	Hall Input 2
6. Red	Hall Input 1
7. Red	Water Temp Sensor
8. Red	Lambda Sensor
9. Red	+5V Output
10. Red	+12V Ign Input
11.	Magnetic Input 2+
12.	Magnetic Input 1+

Harness Pin View

6	7	8	9	10
1	2	3	4	5

Harness Pin View

1. Yellow	Coil 2 (&3)
2. Blue	Coil 3
3. Blue	Injector 1&4
4. Blue	Fuel Relay
5. Yellow	GP Output 1
6. Red	Coil 1 (&4)
7. Green	Coil 4
8. Red	Injector 2&3
9. Green	RPM Output
10. Green	GP Output 2



Connect supply wires at the battery terminal !!

