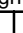



Toyota 2.7i 5VMap Ex-Driver

Harness Required: E01 Ver 1.1 & E04 Ver 1.0

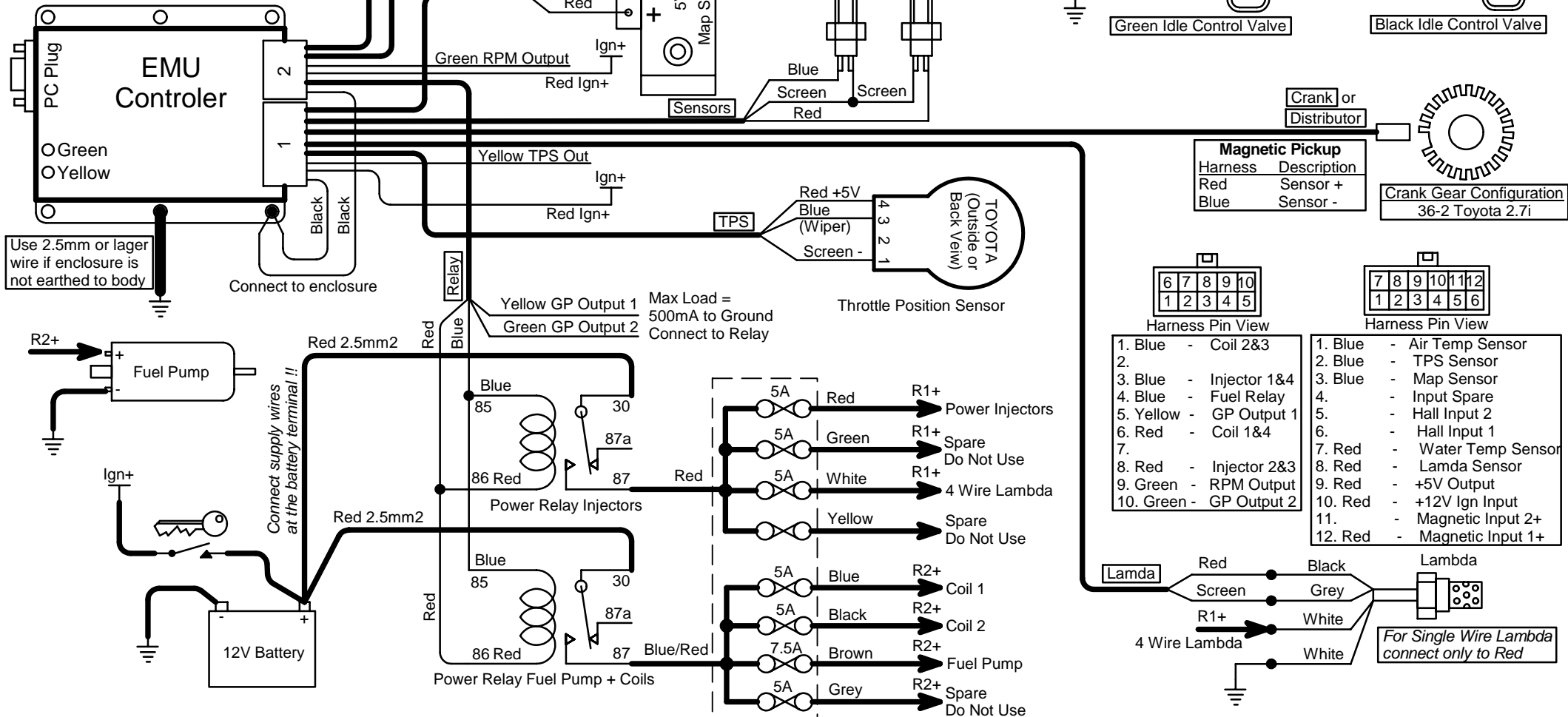
Last Changed: 18/08/2009

Drawing Ver: 1.0

Ign+
 Ignition Power
 Earth

Terminal Connections with the same name are tied together

Led's Functions
 Yellow - Power
 Green - RPM Pulse



Harness Pin View

6	7	8	9	10
1	2	3	4	5

Harness Pin View

7	8	9	10	11	12
1	2	3	4	5	6

1. Blue	-	Coil 2&3
2. Blue	-	TPS Sensor
3. Blue	-	Injector 1&4
4. Blue	-	Fuel Relay
5. Yellow	-	GP Output 1
6. Red	-	Coil 1&4
7. Red	-	Injector 2&3
8. Red	-	Lambda Sensor
9. Green	-	RPM Output
10. Green	-	GP Output 2
11.	-	Magnetic Input 2+
12. Red	-	Magnetic Input 1+