

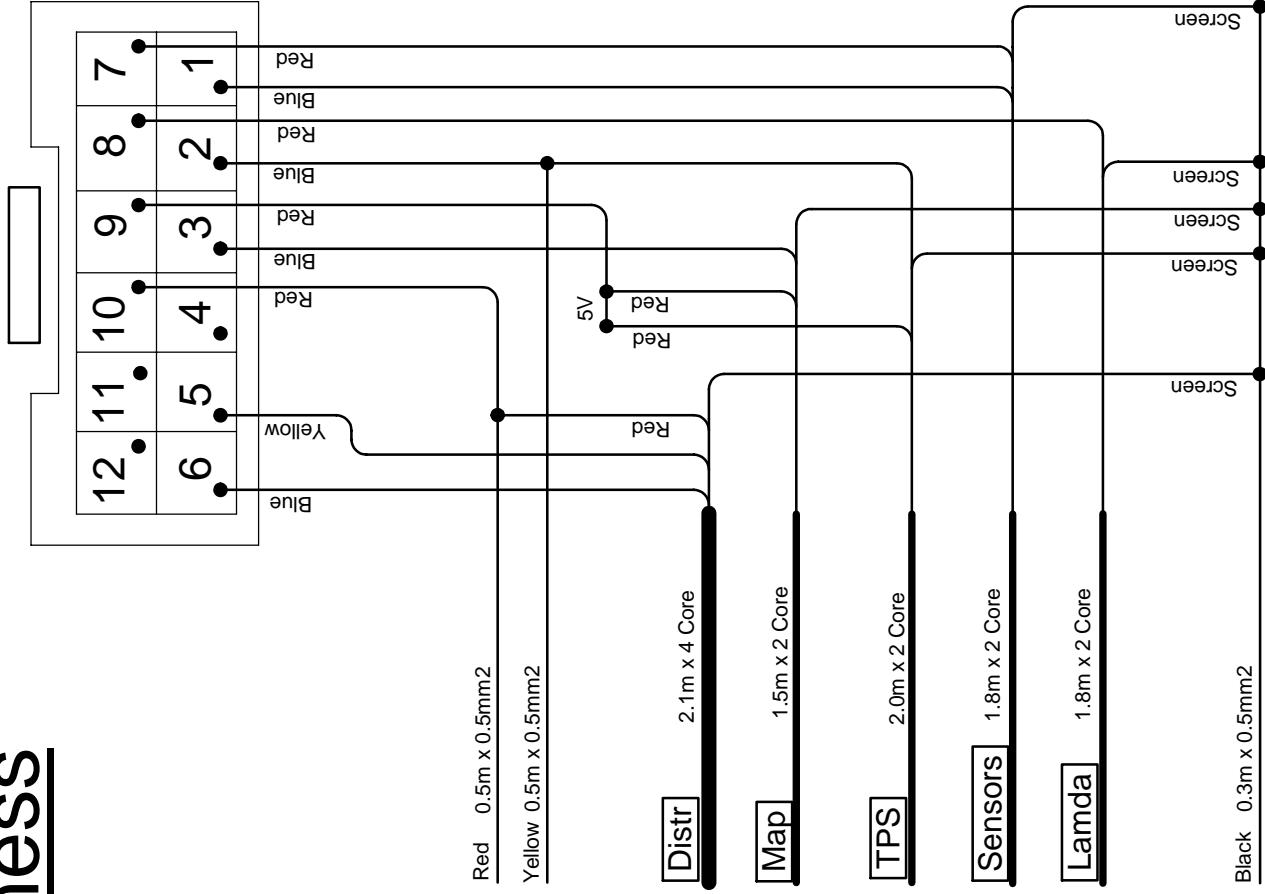
EMU 2xHall Harness

P/N E17 Ver 1.0

File Name: E17 2Hall Harness No1

Last Changed: 23/01/2008

12 Way Female Plug
Rear View
P/N CP-01112010
Pins CP-01100101



Screened cables are 0.5mm²