

Spitronics 1Trig 8Cyl 1Coil 5V Hall

Harness Required: E03 Ver 1.0 & E02 Ver 1.1

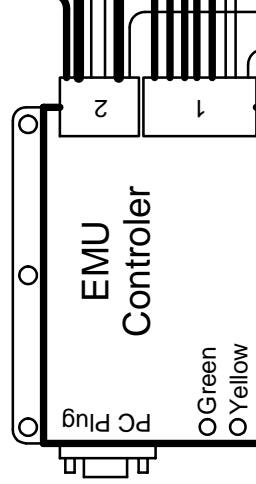
Last Changed: 04/07/2008

Drawing Ver: 1.0

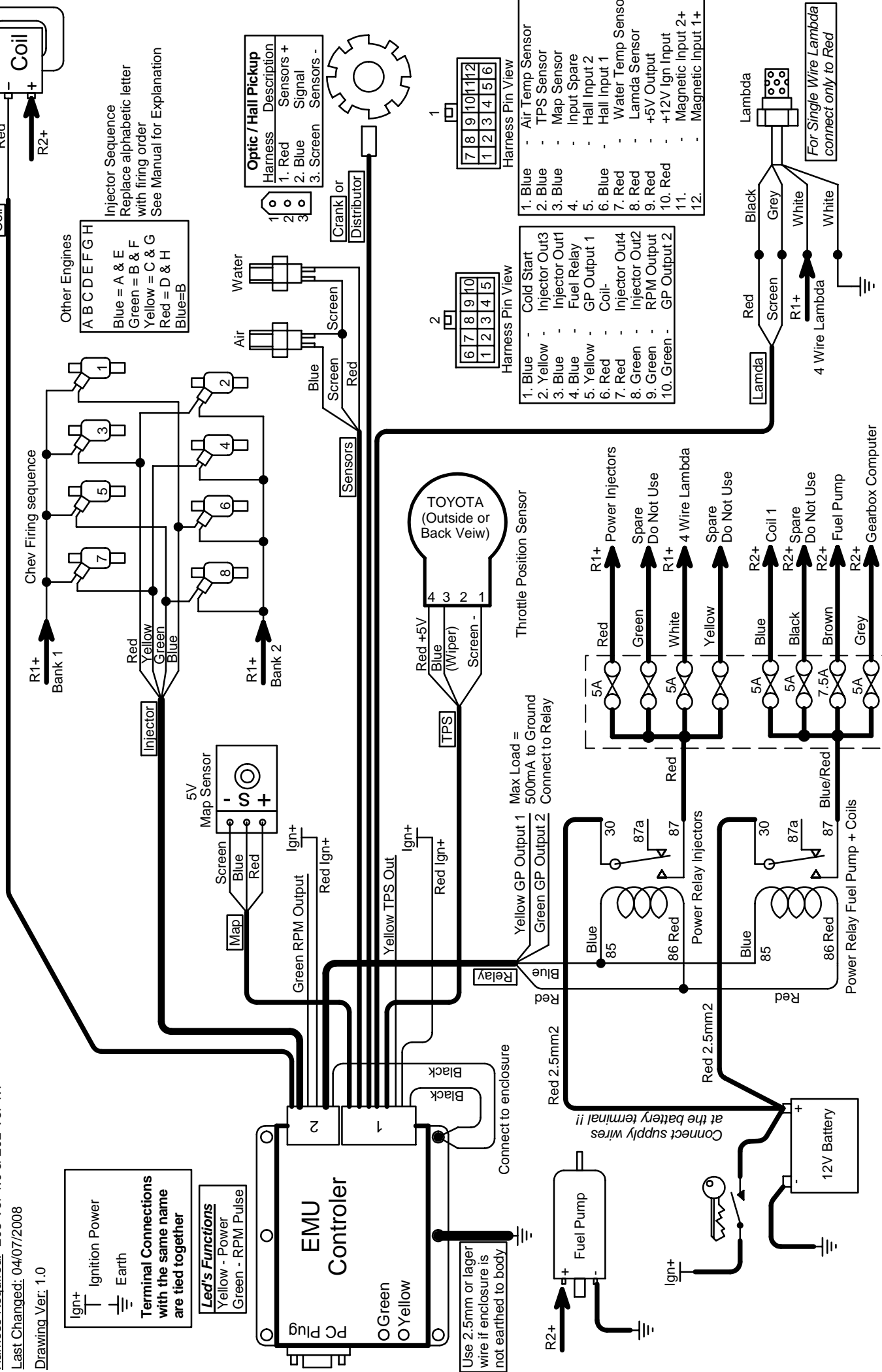
Ign+ Ignition Power
Earth

Terminal Connections with the same name are tied together

Led's Functions
Yellow - Power
Green - RPM Pulse



Use 2.5mm or larger wire if enclosure is not earthed to body



Cher Firing sequence

Other Engines
A B C D E F G H
Blue = A & E
Green = B & F
Yellow = C & G
Red = D & H
Blue=B

Injector Sequence
Replace alphabetic letter with firing order
See Manual for Explanation

Optic / Hall Pickup
Harness Description
1. Red Sensors +
2. Blue Signal
3. Screen Sensors -

Harness Pin View 2

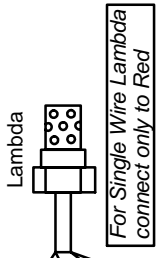
6	7	8	9	10
1	2	3	4	5

Harness Pin View 1

7	8	9	10	11	12
1	2	3	4	5	6

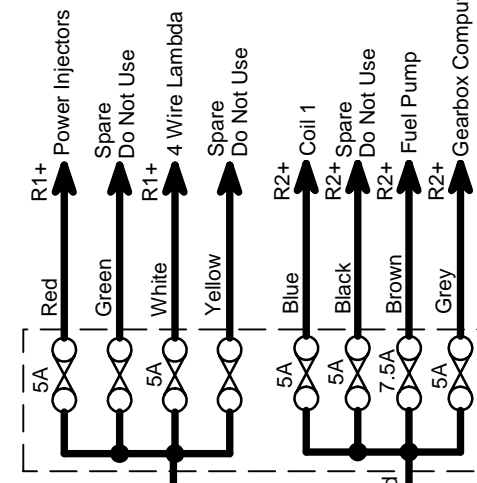
- 1.** Blue - Cold Start
2. Yellow - Injector Out3
3. Blue - Injector Out1
4. Blue - Fuel Relay
5. Yellow - GP Output 1
6. Red - Coil-
7. Red - Injector Out4
8. Green - Injector Out2
9. Green - RPM Output
10. Green - GP Output 2

- 1.** Blue - Air Temp Sensor
2. Blue - TPS Sensor
3. Blue - Map Sensor
4. - Input Spare
5. - Hall Input 2
6. Blue - Hall Input 1
7. Red - Water Temp Sensor
8. Red - Lamda Sensor
9. Red - +5V Output
10. Red - +12V Ign Input
11. - Magnetic Input 2+
12. - Magnetic Input 1+

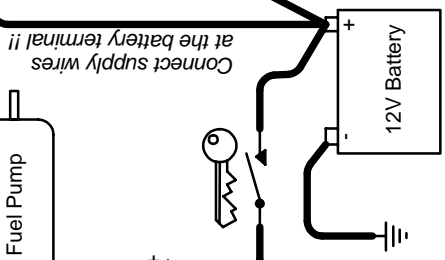
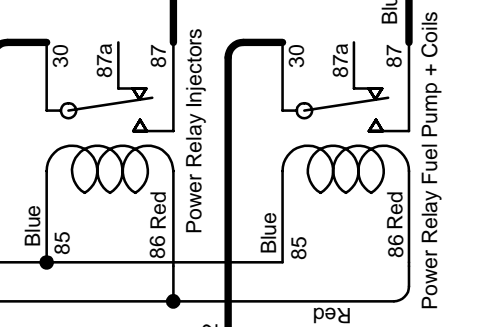


For Single Wire Lambda connect only to Red

Throttle Position Sensor



Max Load = 500mA to Ground
Connect to Relay



Connect supply wires at the battery terminal !!