

2Trig 6Cyl 1Coil 5V Mag

Harness Required: E11 Ver 1.0 & E13 Ver 1.0

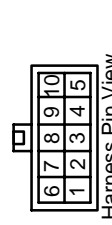
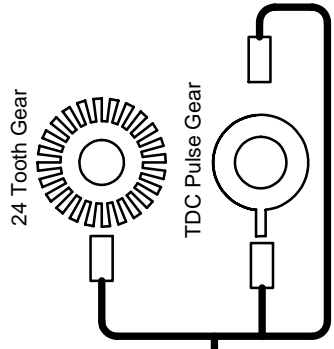
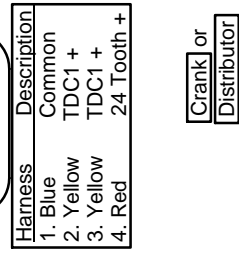
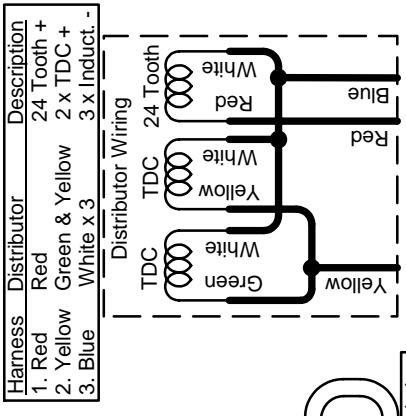
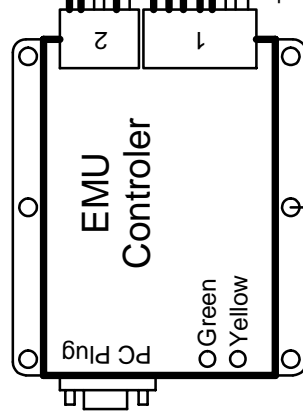
Last Changed: 15/07/2008

Drawing Ver: 1.0

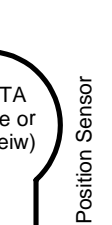
Ign+ Ignition Power
Earth

Terminal Connections with the same name are tied together

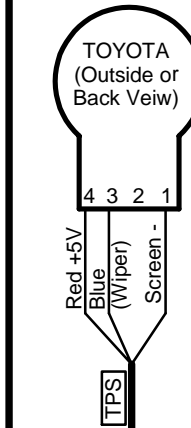
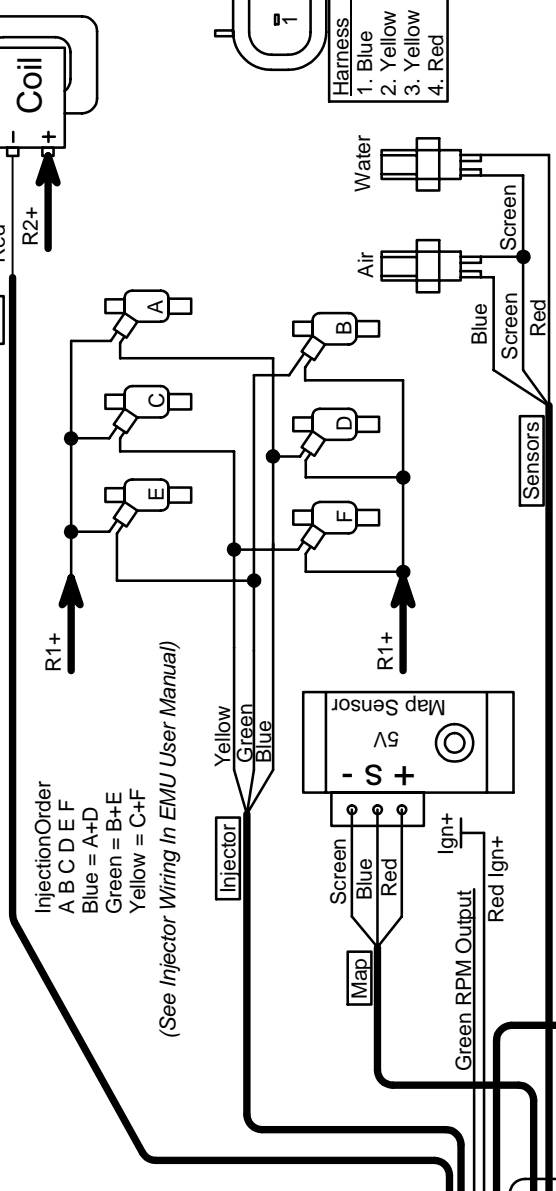
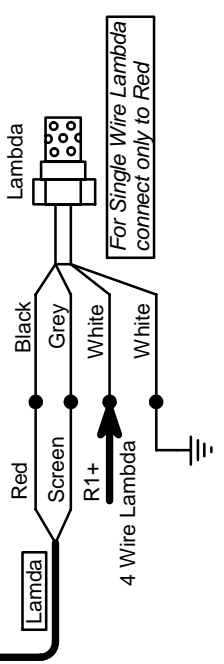
Led's Functions
Yellow - Power
Green - RPM Pulse



1. Blue - Air Temp Sensor
2. Blue - TPS Sensor
3. Blue - Map Sensor
4. - Input Spare
5. - Hall Input 2
6. - Hall Input 1
7. Red - Water Temp Sensor
8. Red - Lambda Sensor
9. Red - +5V Output
10. Red - +12V Ign Input
11. Yellow - Magnetic Input 2+
12. Red - Magnetic Input 1+



1. Yellow - Injector C&F
2. Blue - Injector A&D
4. Blue - Fuel Relay
5. Yellow - GP Output 1
6. Red - Coil -
8. Green - Injector B&E
9. Green - RPM Output
10. Green - GP Output 2



Max Load = 500mA to Ground
Connect to Relay

