

# Standard - 5V Hall EMU

Harness Required: E03 Ver 1.0 & E04 Ver 1.0

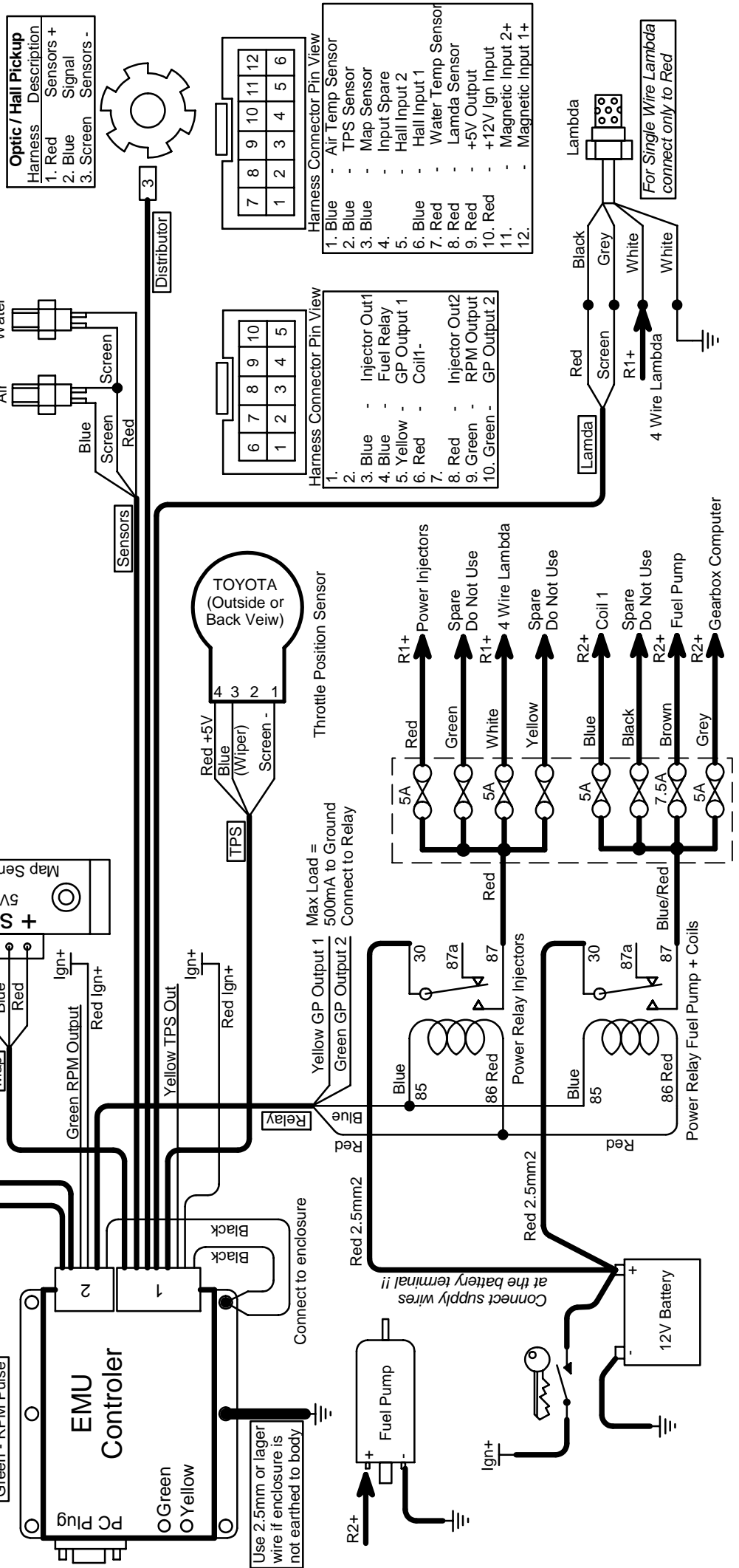
Last Changed: 18/04/2008

Drawing Ver: 1.0

Ign+ Ignition Power  
Earth

**Terminal Connections with the same name are tied together**

**Led's Functions**  
Yellow - Power  
Green - RPM Pulse



Use 2.5mm or larger wire if enclosure is not earthed to body

Max Load = 500mA to Ground  
Connect to Relay

Connect supply wires at the battery terminal !!

**Harness Connector Pin View**

7	8	9	10	11	12
1	2	3	4	5	6

1. Blue - Air Temp Sensor
2. Blue - TPS Sensor
3. Blue - Map Sensor
4. - Input Spare
5. - Hall Input 2
6. Blue - Hall Input 1
7. Red - Water Temp Sensor
8. Red - Lambda Sensor
9. Red - +5V Output
10. Red - +12V Ign Input
11. - Magnetic Input 2+
12. - Magnetic Input 1+

**Harness Connector Pin View**

6	7	8	9	10
1	2	3	4	5

1. - Injector Out1
2. Blue - Fuel Relay
3. Blue - GP Output 1
4. Yellow - GP Output 2
5. Red - Coil1-
6. Red - Injector Out2
7. - RPM Output
8. Green - GP Output 2
9. Green - GP Output 1
10. Green - GP Output 2

For Single Wire Lambda connect only to Red