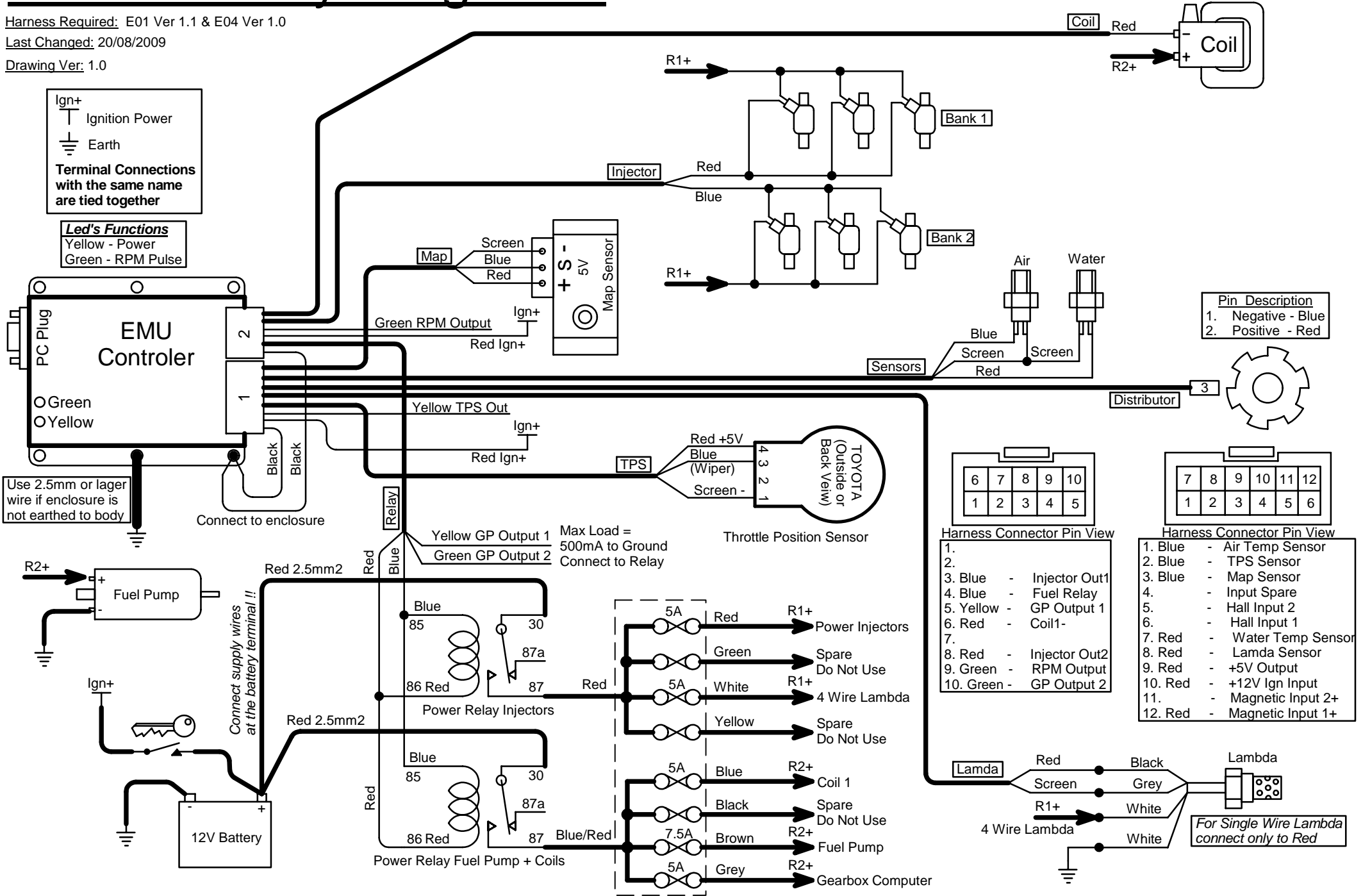


Standard 6Cyl Mag EMU

Harness Required: E01 Ver 1.1 & E04 Ver 1.0

Last Changed: 20/08/2009

Drawing Ver: 1.0



Pin Description
 1. Negative - Blue
 2. Positive - Red

Harness Connector Pin View

6	7	8	9	10
1	2	3	4	5

Harness Connector Pin View

7	8	9	10	11	12
1	2	3	4	5	6

- 1. Blue - Air Temp Sensor
- 2. Blue - TPS Sensor
- 3. Blue - Injector Out1
- 4. Blue - Fuel Relay
- 5. Yellow - GP Output 1
- 6. Red - Coil1-
- 7. - Hall Input 1
- 8. Red - Injector Out2
- 8. Red - Lamda Sensor
- 9. Green - RPM Output
- 9. Red - +5V Output
- 10. Red - +12V Ign Input
- 11. - Magnetic Input 2+
- 12. Red - Magnetic Input 1+

