

# TITAN Lexus

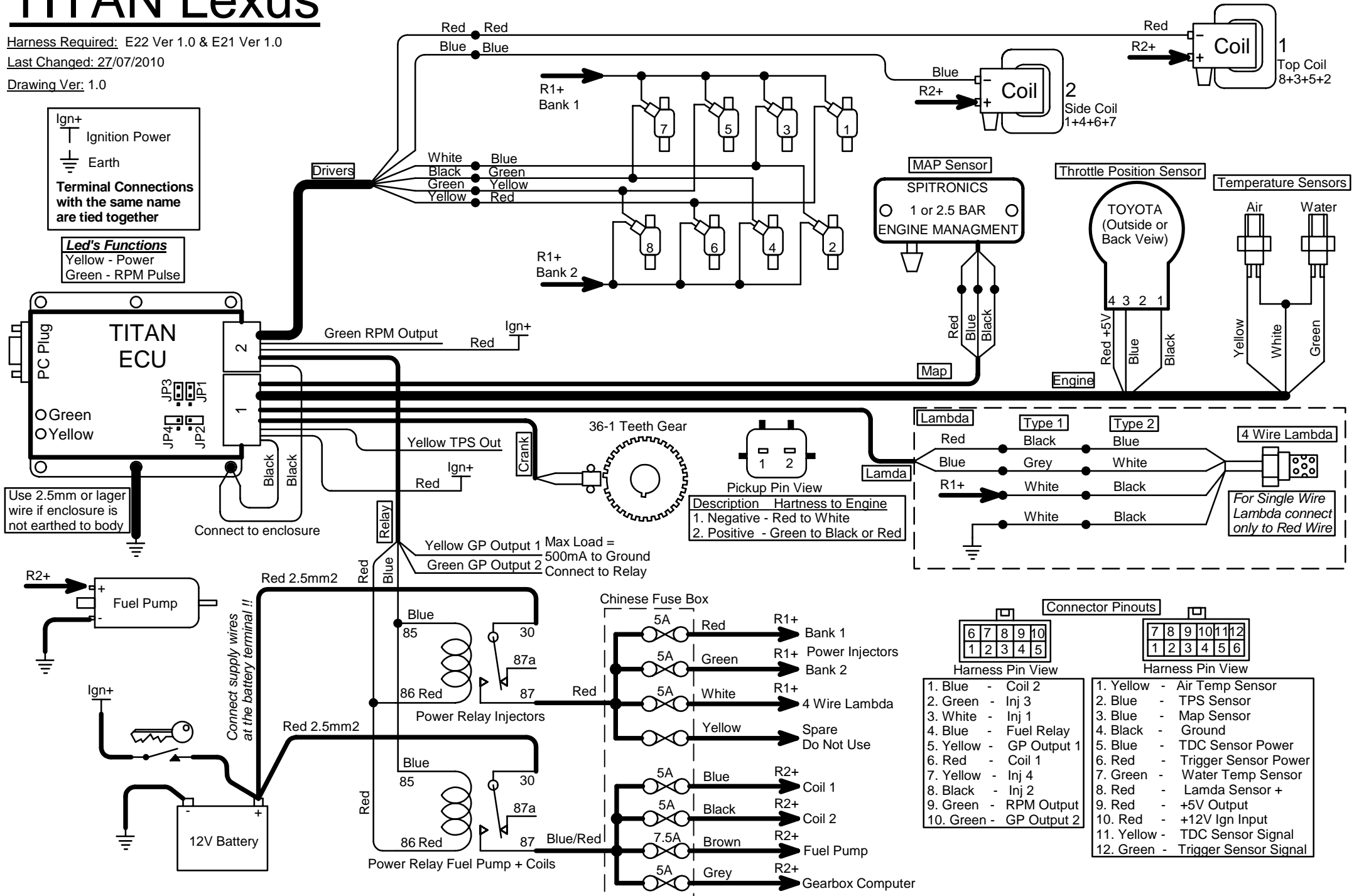
Harness Required: E22 Ver 1.0 & E21 Ver 1.0

Last Changed: 27/07/2010

Drawing Ver: 1.0

**Terminal Connections with the same name are tied together**

**Led's Functions**  
 Yellow - Power  
 Green - RPM Pulse



Use 2.5mm or larger wire if enclosure is not earthed to body

Connect to enclosure

Connect supply wires at the battery terminal !!

Yellow GP Output 1 Max Load = 500mA to Ground  
 Green GP Output 2 Connect to Relay

**Description - Harness to Engine**  
 1. Negative - Red to White  
 2. Positive - Green to Black or Red

For Single Wire Lambda connect only to Red Wire

**Connector Pinouts**

Harness Pin View					Harness Pin View					
6	7	8	9	10	7	8	9	10	11	12
1	2	3	4	5	1	2	3	4	5	6

1. Blue	-	Coil 2
2. Green	-	Inj 3
3. White	-	Inj 1
4. Blue	-	Fuel Relay
5. Yellow	-	GP Output 1
6. Red	-	Coil 1
7. Yellow	-	Inj 4
8. Black	-	Inj 2
9. Green	-	RPM Output
10. Green	-	GP Output 2
1. Yellow	-	Air Temp Sensor
2. Blue	-	TPS Sensor
3. Blue	-	Map Sensor
4. Black	-	Ground
5. Blue	-	TDC Sensor Power
6. Red	-	Trigger Sensor Power
7. Green	-	Water Temp Sensor
8. Red	-	Lambda Sensor +
9. Red	-	+5V Output
10. Red	-	+12V Ign Input
11. Yellow	-	TDC Sensor Signal
12. Green	-	Trigger Sensor Signal