

# Mazda MX6 1Coil 5V Hall

Harness Required: E22 Ver 1.0 & E21 Ver 1.0

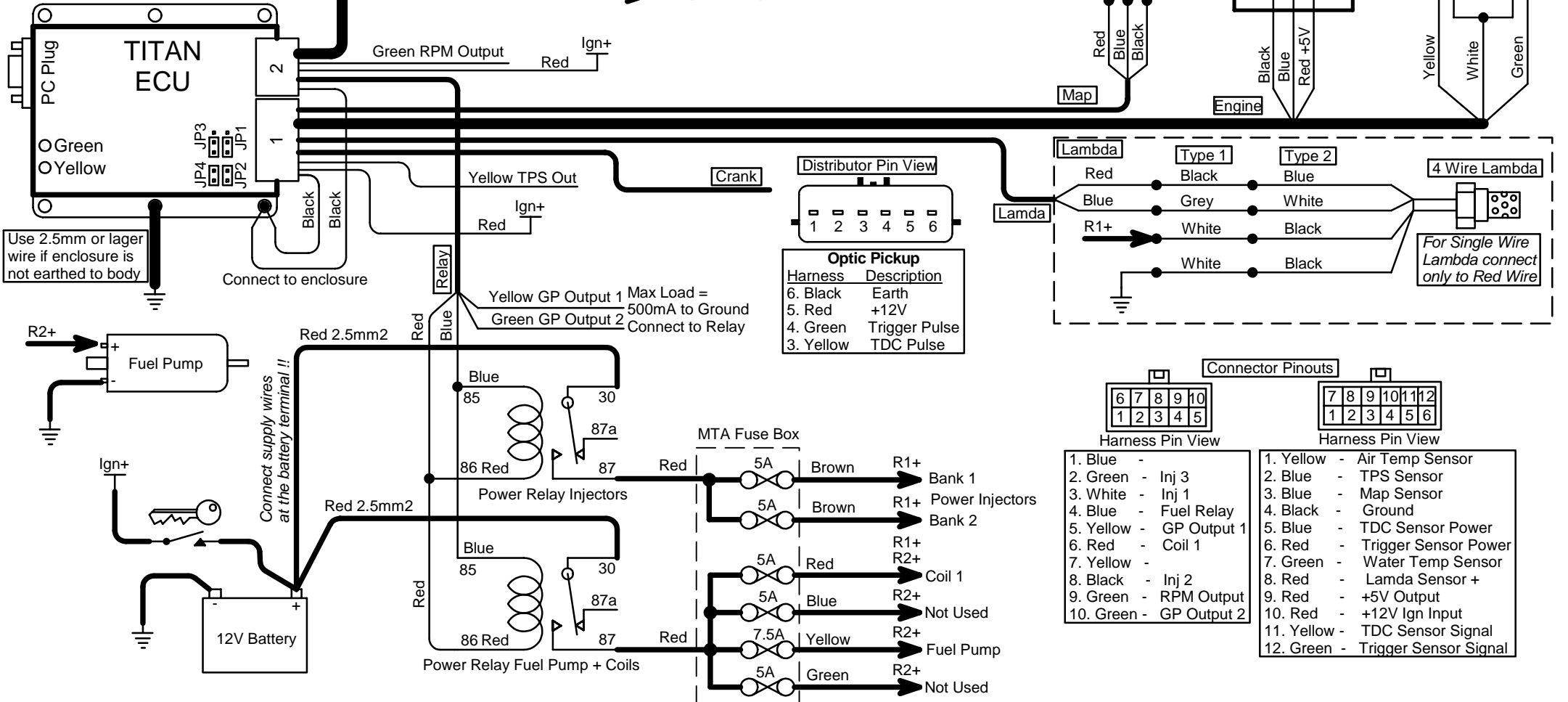
Last Changed: 19/10/2010

Drawing Ver: 1.0

**Terminal Connections with the same name are tied together**

Ign+ Ignition Power  
 Earth

**Led's Functions**  
 Yellow - Power  
 Green - RPM Pulse



Use 2.5mm or larger wire if enclosure is not earthed to body

Connect to enclosure

Connect supply wires at the battery terminal !!

Max Load = 500mA to Ground  
 Connect to Relay

For Single Wire Lambda connect only to Red Wire