

TITAN Colt V6

Harness Required: E22 Ver 1.0 & E21 Ver 1.0

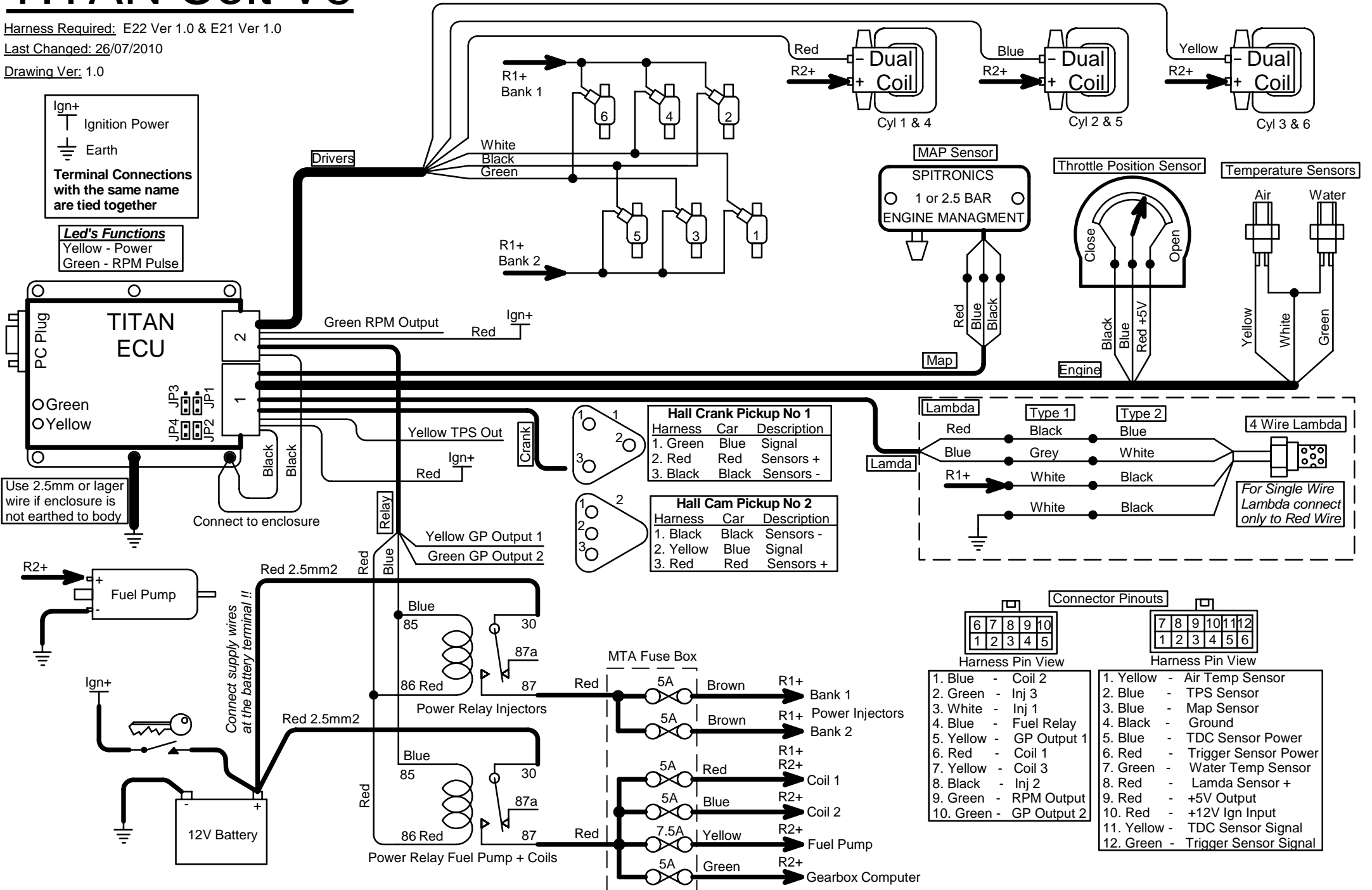
Last Changed: 26/07/2010

Drawing Ver: 1.0

Terminal Connections with the same name are tied together

Ign+ Ignition Power
 Earth

Led's Functions
 Yellow - Power
 Green - RPM Pulse



Use 2.5mm or larger wire if enclosure is not earthed to body

Connect to enclosure

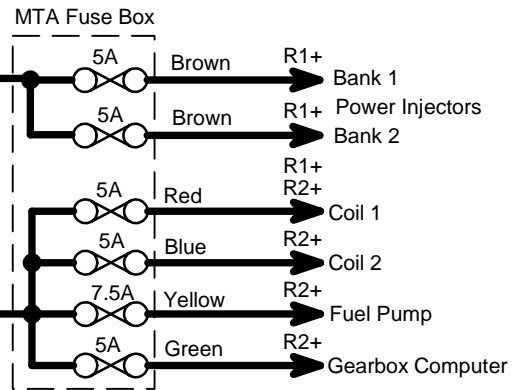
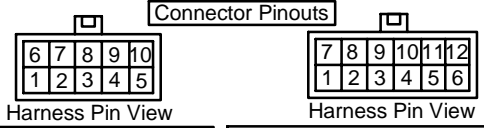
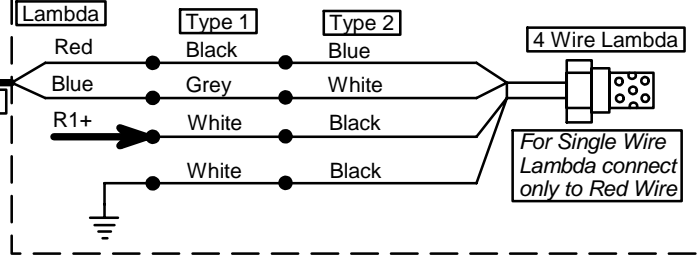
Connect supply wires at the battery terminal !!

Hall Crank Pickup No 1

Harness	Car	Description
1. Green	Blue	Signal
2. Red	Red	Sensors +
3. Black	Black	Sensors -

Hall Cam Pickup No 2

Harness	Car	Description
1. Black	Black	Sensors -
2. Yellow	Blue	Signal
3. Red	Red	Sensors +



Connector Pinouts

Pin	Color	Function
1	Blue	Coil 2
2	Green	Inj 3
3	White	Inj 1
4	Blue	Fuel Relay
5	Yellow	GP Output 1
6	Red	Coil 1
7	Yellow	Coil 3
8	Black	Inj 2
9	Green	RPM Output
10	Green	GP Output 2
11	Yellow	Air Temp Sensor
12	Green	Trigger Sensor Signal