

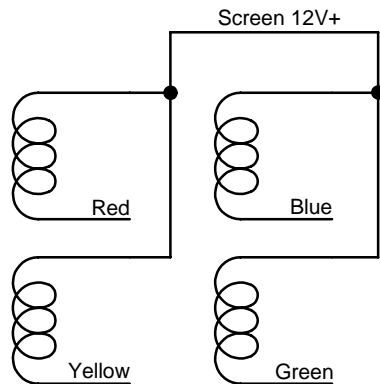
Idle Stepper Motor Control Type 1

Harness Required: S01 Ver 1.0

Last Changed: 12/12/2007

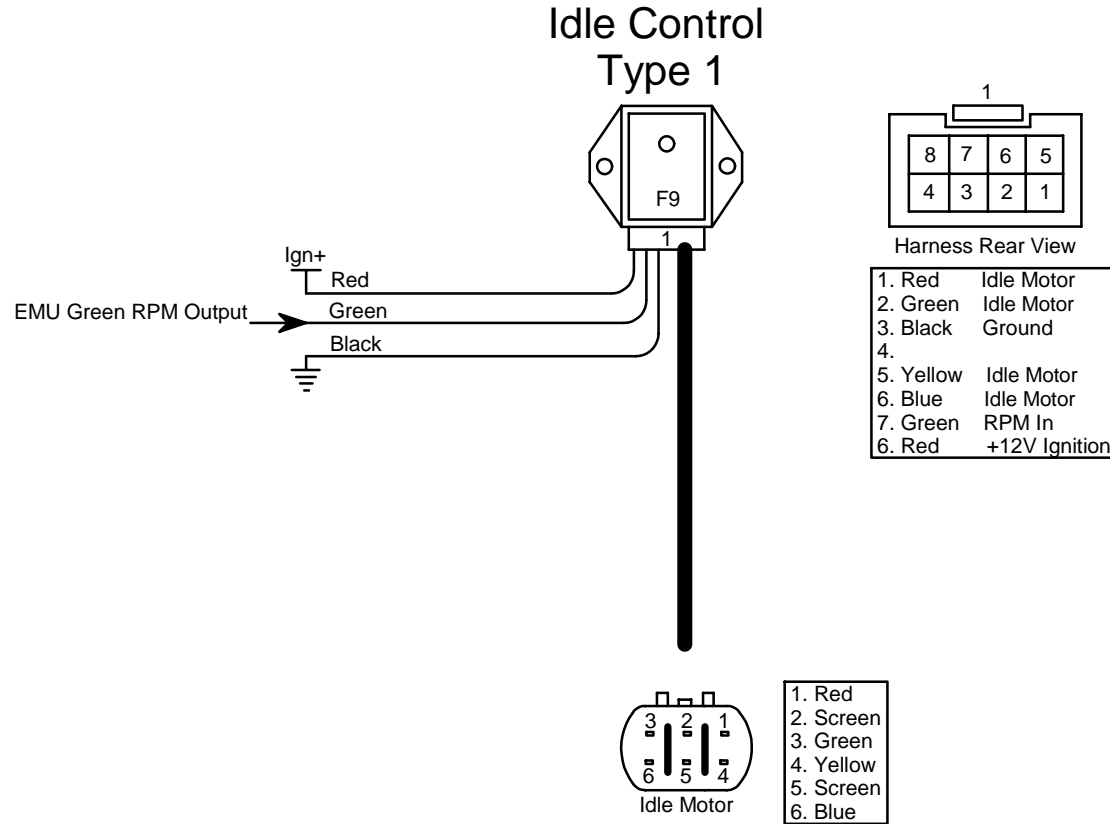
Drawing Ver: 1.0

Connection Schematic



4 x Coils with common wire

Do Not use this idle control if coil resistance is less than 20 ohm !!!



Do Not Earth the Screen as it carries 12V+ !!!