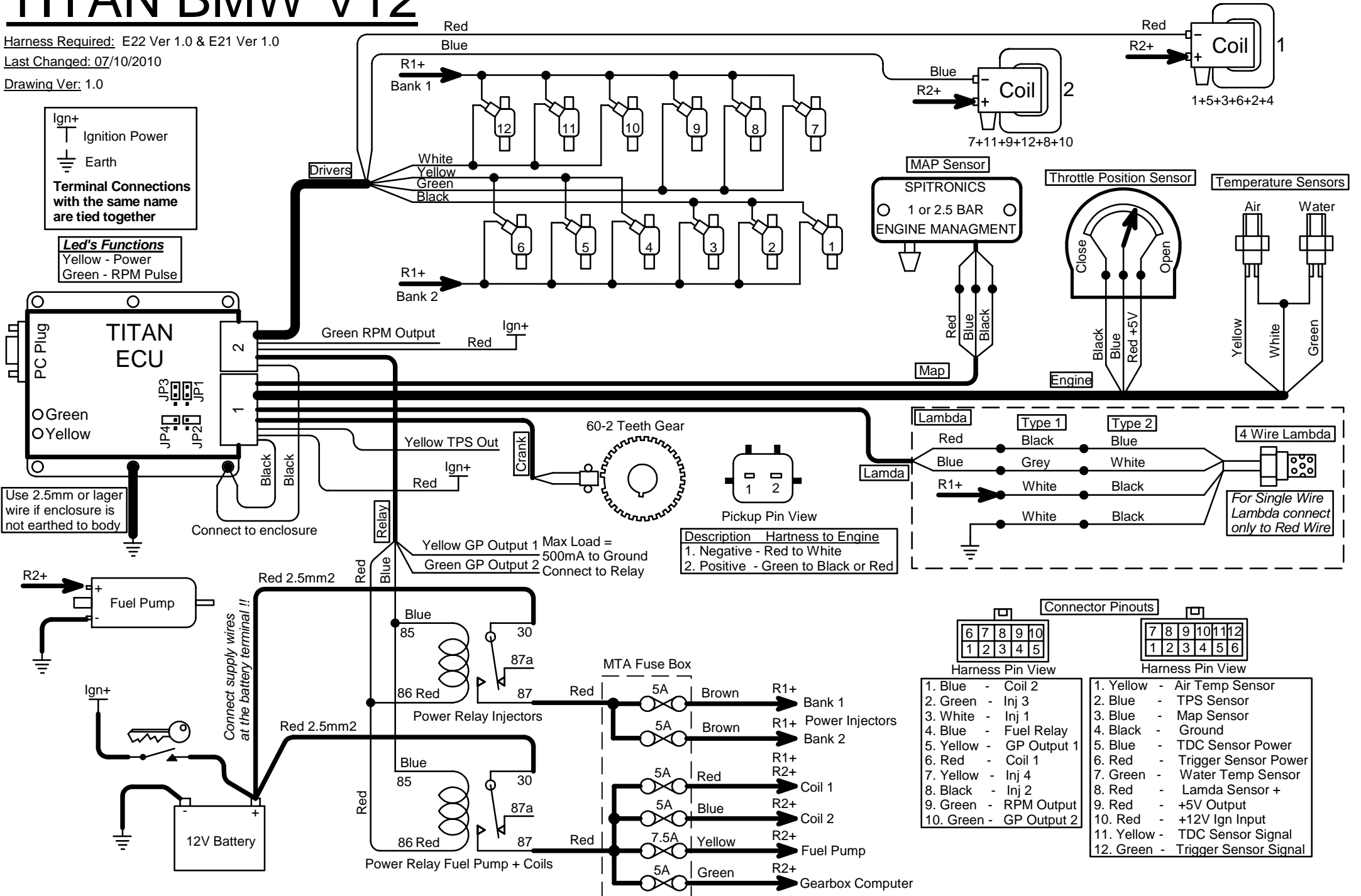


TITAN BMW V12

Harness Required: E22 Ver 1.0 & E21 Ver 1.0

Last Changed: 07/10/2010

Drawing Ver: 1.0



Ign+
| Ignition Power
Earth
Terminal Connections
with the same name
are tied together

Led's Functions
Yellow - Power
Green - RPM Pulse

Use 2.5mm or larger
wire if enclosure is
not earthed to body

Connect to enclosure

Connect supply wires
at the battery terminal !!

Yellow GP Output 1 Max Load =
Green GP Output 2 500mA to Ground
Connect to Relay

Description Harness to Engine
1. Negative - Red to White
2. Positive - Green to Black or Red

For Single Wire
Lambda connect
only to Red Wire

Connector Pinouts

Harness Pin View					Harness Pin View					
6	7	8	9	10	7	8	9	10	11	12
1	2	3	4	5	1	2	3	4	5	6

1. Blue	-	Coil 2	1. Yellow	-	Air Temp Sensor
2. Green	-	Inj 3	2. Blue	-	TPS Sensor
3. White	-	Inj 1	3. Blue	-	Map Sensor
4. Blue	-	Fuel Relay	4. Black	-	Ground
5. Yellow	-	GP Output 1	5. Blue	-	TDC Sensor Power
6. Red	-	Coil 1	6. Red	-	Trigger Sensor Power
7. Yellow	-	Inj 4	7. Green	-	Water Temp Sensor
8. Black	-	Inj 2	8. Red	-	Lambda Sensor +
9. Green	-	RPM Output	9. Red	-	+5V Output
10. Green	-	GP Output 2	10. Red	-	+12V Ign Input
			11. Yellow	-	TDC Sensor Signal
			12. Green	-	Trigger Sensor Signal