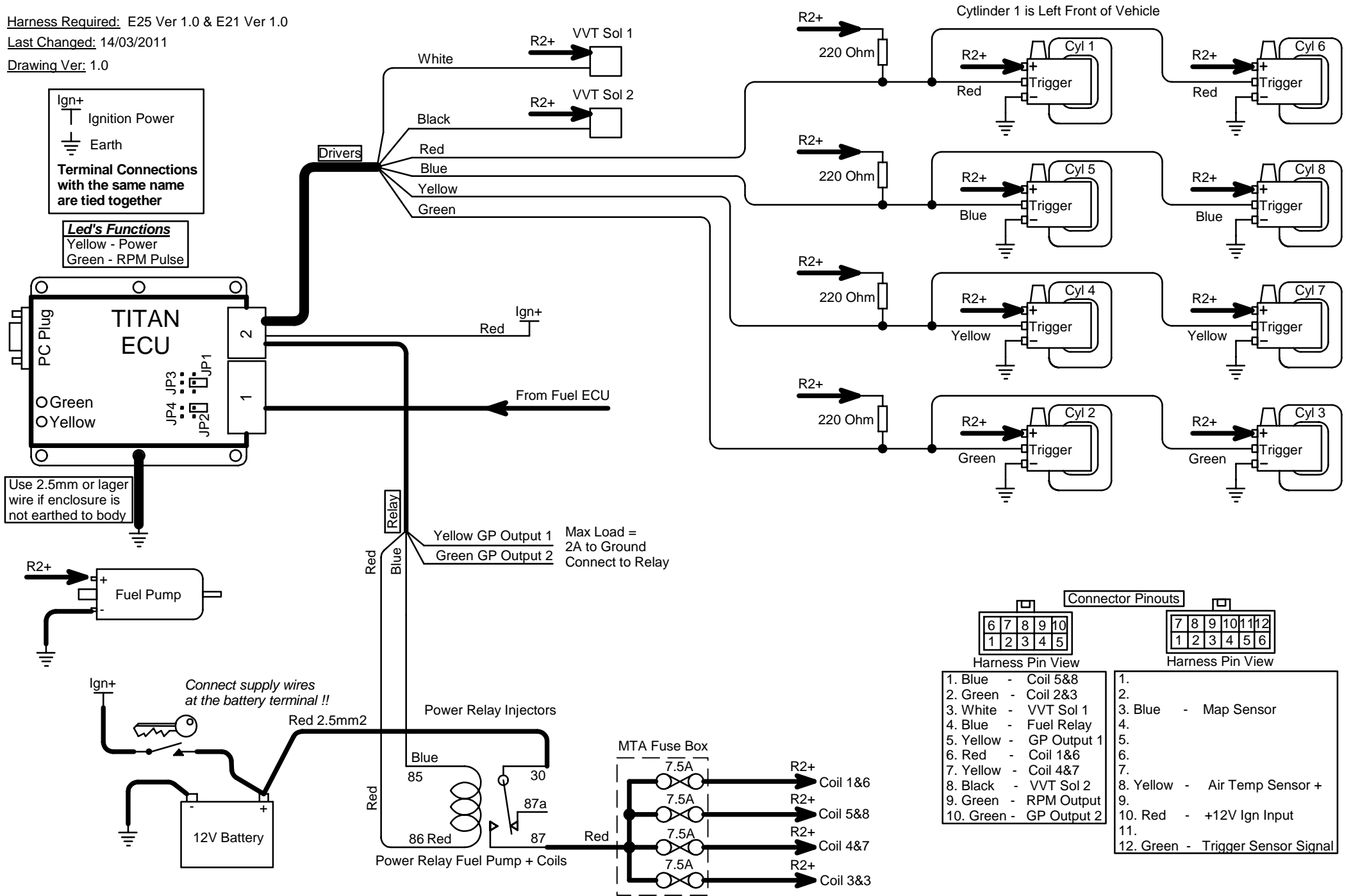


TITAN T3 Lexus VVT Spark

Harness Required: E25 Ver 1.0 & E21 Ver 1.0

Last Changed: 14/03/2011

Drawing Ver: 1.0



Ign+
| Ignition Power
Earth
Terminal Connections
with the same name
are tied together

Led's Functions
Yellow - Power
Green - RPM Pulse

Use 2.5mm or larger
wire if enclosure is
not earthed to body

Connect supply wires
at the battery terminal !!

Yellow GP Output 1
Green GP Output 2
Max Load =
2A to Ground
Connect to Relay

Cylinder 1 is Left Front of Vehicle

Connector Pinouts

6	7	8	9	10	7	8	9	10	11	12
1	2	3	4	5	1	2	3	4	5	6

Harness Pin View

1. Blue - Coil 5&8
2. Green - Coil 2&3
3. White - VVT Sol 1
4. Blue - Fuel Relay
5. Yellow - GP Output 1
6. Red - Coil 1&6
7. Yellow - Coil 4&7
8. Black - VVT Sol 2
9. Green - RPM Output
10. Green - GP Output 2

Harness Pin View

- 1.
- 2.
3. Blue - Map Sensor
- 4.
- 5.
- 6.
- 7.
8. Yellow - Air Temp Sensor +
- 9.
10. Red - +12V Ign Input
- 11.
12. Green - Trigger Sensor Signal