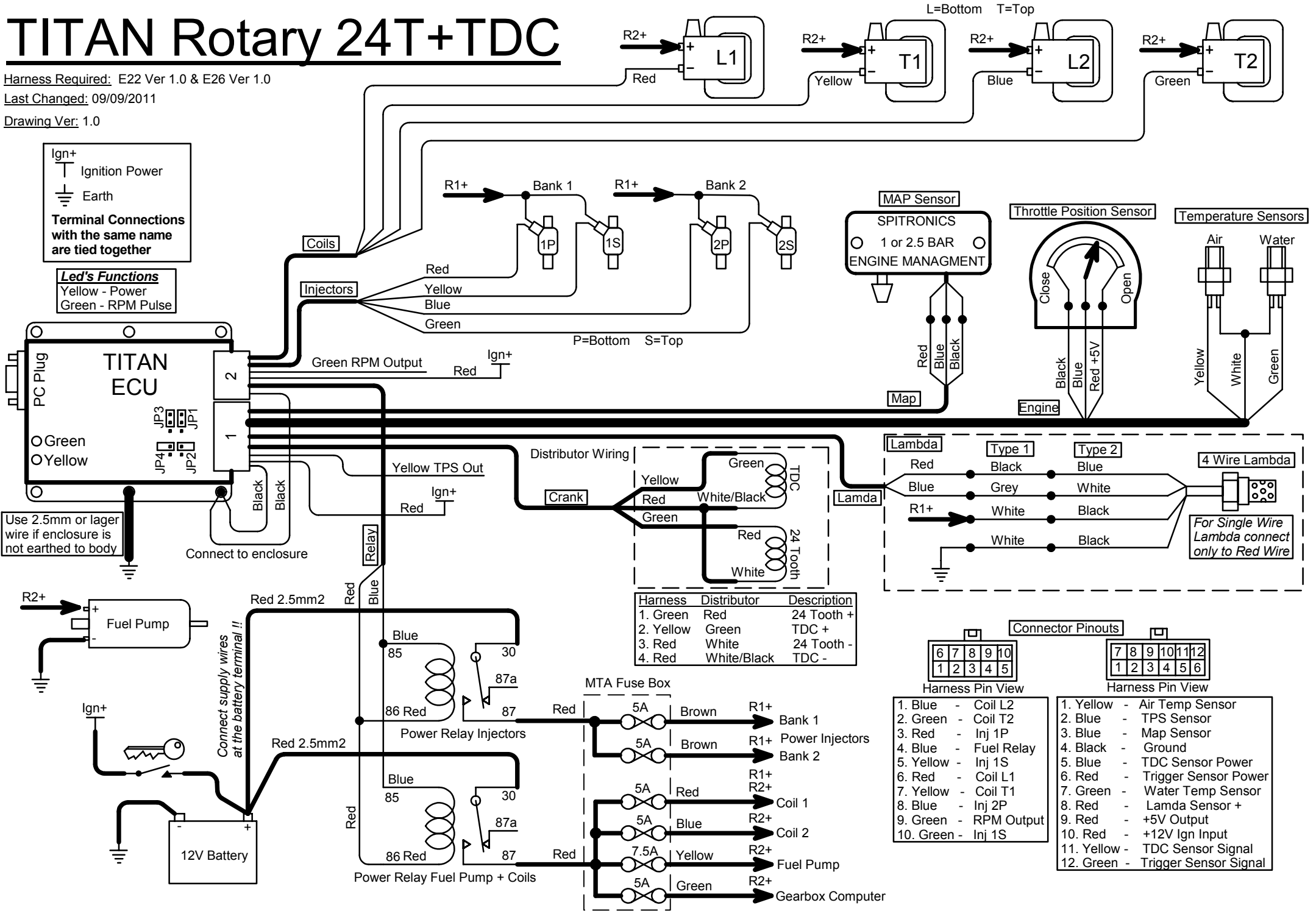


TITAN Rotary 24T+TDC

Harness Required: E22 Ver 1.0 & E26 Ver 1.0

Last Changed: 09/09/2011

Drawing Ver: 1.0



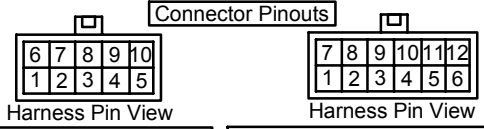
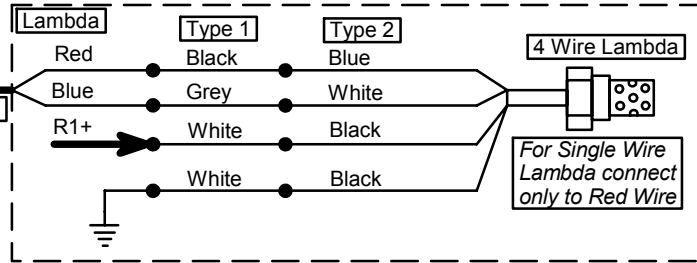
Ign+
T Ignition Power
Earth

Terminal Connections with the same name are tied together

LED's Functions
Yellow - Power
Green - RPM Pulse

Use 2.5mm or larger wire if enclosure is not earthed to body

Harness	Distributor	Description
1. Green	Red	24 Tooth +
2. Yellow	Green	TDC +
3. Red	White	24 Tooth -
4. Red	White/Black	TDC -



- | | | |
|------------|---|-----------------------|
| 1. Blue | - | Coil L2 |
| 2. Green | - | Coil T2 |
| 3. Red | - | Inj 1P |
| 4. Blue | - | Fuel Relay |
| 5. Yellow | - | Inj 1S |
| 6. Red | - | Coil L1 |
| 7. Yellow | - | Coil T1 |
| 8. Blue | - | Inj 2P |
| 9. Green | - | RPM Output |
| 10. Green | - | Inj 1S |
| 1. Yellow | - | Air Temp Sensor |
| 2. Blue | - | TPS Sensor |
| 3. Blue | - | Map Sensor |
| 4. Black | - | Ground |
| 5. Blue | - | TDC Sensor Power |
| 6. Red | - | Trigger Sensor Power |
| 7. Green | - | Water Temp Sensor |
| 8. Red | - | Lambda Sensor + |
| 9. Red | - | +5V Output |
| 10. Red | - | +12V Ign Input |
| 11. Yellow | - | TDC Sensor Signal |
| 12. Green | - | Trigger Sensor Signal |