

TITAN Subaru 6xFuse 2.0

Harness Required: E22 Ver 1.0 & E21 Ver 1.0

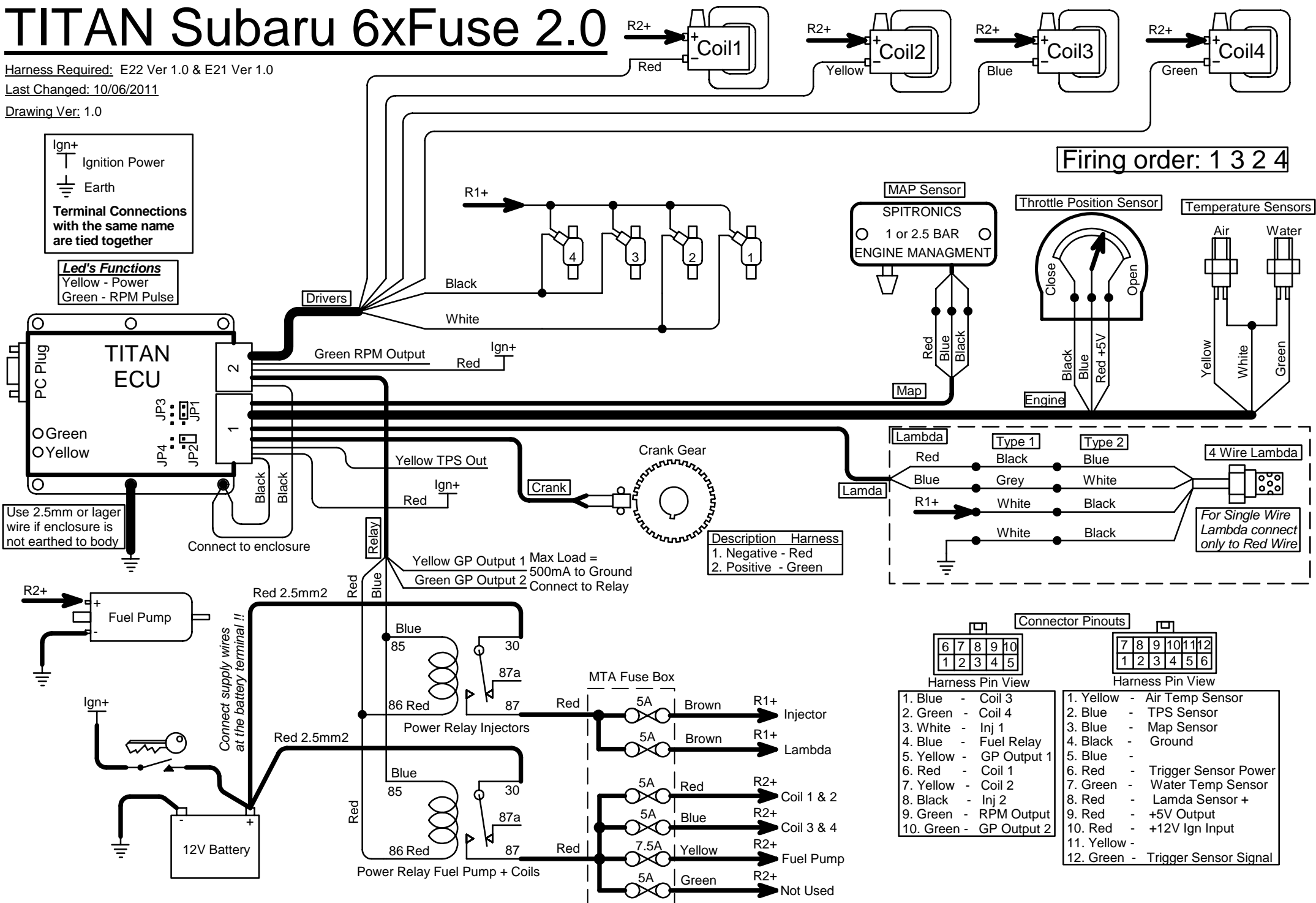
Last Changed: 10/06/2011

Drawing Ver: 1.0

Ign+
| Ignition Power
|
|
| Earth

Terminal Connections with the same name are tied together

Led's Functions
Yellow - Power
Green - RPM Pulse



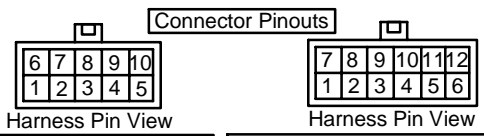
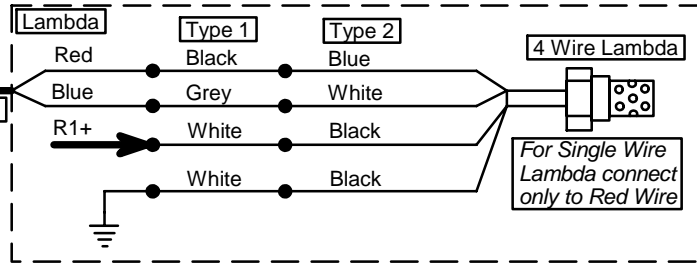
Firing order: 1 3 2 4

Use 2.5mm or larger wire if enclosure is not earthed to body

Connect to enclosure

Yellow GP Output 1 Max Load = 500mA to Ground
Green GP Output 2 Connect to Relay

Description Harness
1. Negative - Red
2. Positive - Green



- | Connector Pinouts | Harness Pin View |
|-------------------|-------------------------|
| 1. Blue | - Coil 3 |
| 2. Green | - Coil 4 |
| 3. White | - Inj 1 |
| 4. Blue | - Fuel Relay |
| 5. Yellow | - GP Output 1 |
| 6. Red | - Coil 1 |
| 7. Green | - Trigger Sensor Power |
| 8. Red | - Lambda Sensor + |
| 9. Green | - RPM Output |
| 10. Red | - +5V Output |
| 11. Yellow | - |
| 12. Green | - Trigger Sensor Signal |