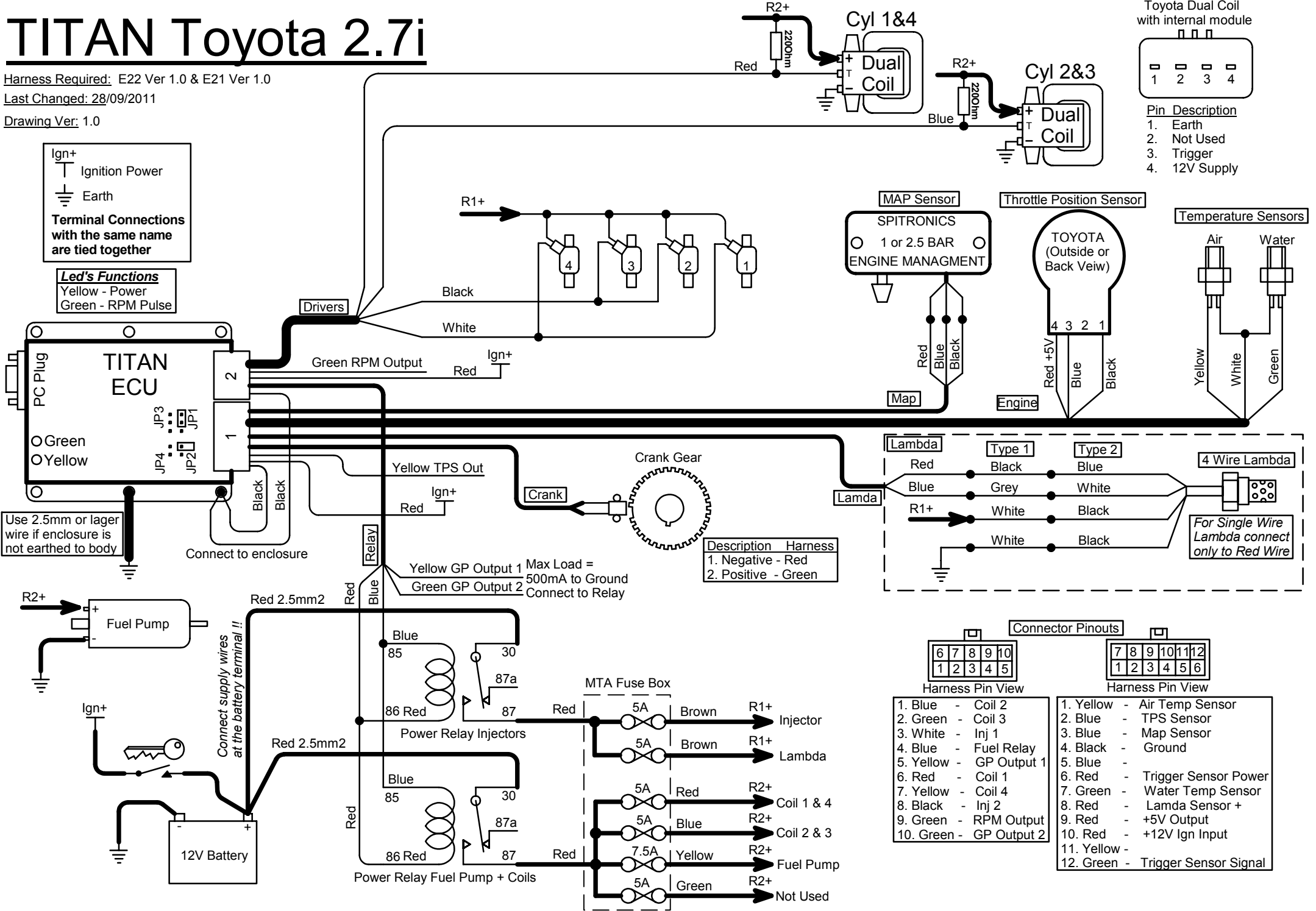


TITAN Toyota 2.7i

Harness Required: E22 Ver 1.0 & E21 Ver 1.0

Last Changed: 28/09/2011

Drawing Ver: 1.0



Terminal Connections with the same name are tied together

Ign+
Ignition Power

Earth
Earth

Led's Functions

Yellow - Power
Green - RPM Pulse

Toyota Dual Coil with internal module

1	2	3	4
---	---	---	---

- Pin Description**
1. Earth
 2. Not Used
 3. Trigger
 4. 12V Supply

Use 2.5mm or larger wire if enclosure is not earthed to body

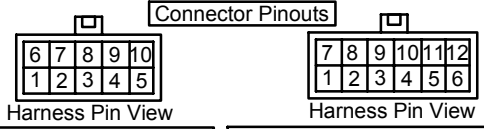
Connect to enclosure

Connect supply wires at the battery terminal !!

Max Load = 500mA to Ground
Connect to Relay

- Description Harness**
1. Negative - Red
 2. Positive - Green

For Single Wire Lambda connect only to Red Wire



- | | | | | | |
|-----------|---|-------------|------------|---|-----------------------|
| 1. Blue | - | Coil 2 | 1. Yellow | - | Air Temp Sensor |
| 2. Green | - | Coil 3 | 2. Blue | - | TPS Sensor |
| 3. White | - | Inj 1 | 3. Blue | - | Map Sensor |
| 4. Blue | - | Fuel Relay | 4. Black | - | Ground |
| 5. Yellow | - | GP Output 1 | 5. Blue | - | |
| 6. Red | - | Coil 1 | 6. Red | - | Trigger Sensor Power |
| 7. Yellow | - | Coil 4 | 7. Green | - | Water Temp Sensor |
| 8. Black | - | Inj 2 | 8. Red | - | Lambda Sensor + |
| 9. Green | - | RPM Output | 9. Red | - | +5V Output |
| 10. Green | - | GP Output 2 | 10. Red | - | +12V Ign Input |
| | | | 11. Yellow | - | |
| | | | 12. Green | - | Trigger Sensor Signal |