

# Mazda MX6 1Coil 5V Hall

Harness Required: E22 Ver 1.0 & E21 Ver 1.0

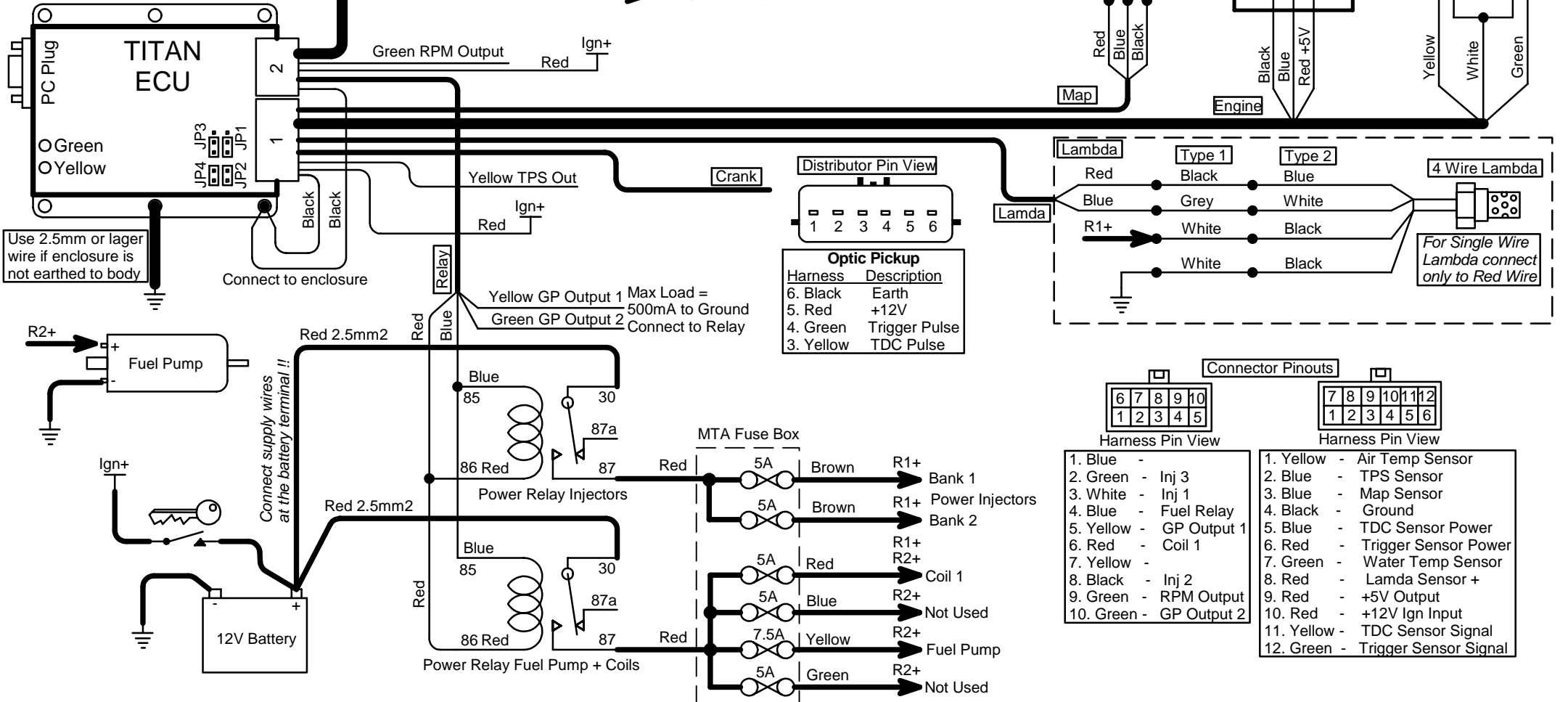
Last Changed: 19/10/2010

Drawing Ver: 1.0

**Terminal Connections with the same name are tied together**

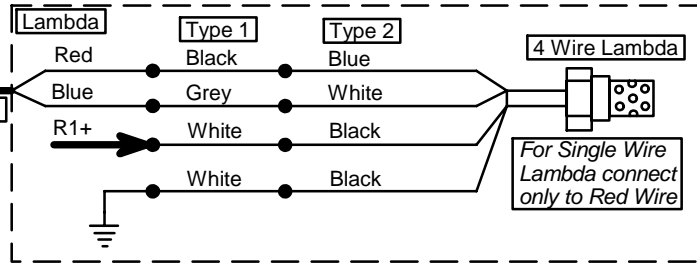
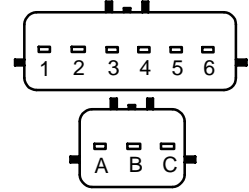
Ign+ Ignition Power  
 Earth

**Led's Functions**  
 Yellow - Power  
 Green - RPM Pulse



**Pin Harness Description**

- (Connect to Earth)
- Trigger (Connect to Earth)
- A. R2+ Coil Positive
- B. Red Coil Negative
- C. Revcounter Out



**Connector Pinouts**

6 Pin	10 Pin	12 Pin
6	7	7
7	8	8
8	9	9
9	10	10
10	11	11
1	2	12
2	3	1
3	4	2
4	5	3
5	6	4

**Harness Pin View**

1. Blue	-
2. Green	- Inj 3
3. White	- Inj 1
4. Blue	- Fuel Relay
5. Yellow	- GP Output 1
6. Red	- Coil 1
7. Yellow	-
8. Black	- Inj 2
9. Green	- RPM Output
10. Green	- GP Output 2

**Harness Pin View**

1. Yellow	- Air Temp Sensor
2. Blue	- TPS Sensor
3. Blue	- Map Sensor
4. Black	- Ground
5. Blue	- TDC Sensor Power
6. Red	- Trigger Sensor Power
7. Green	- Water Temp Sensor
8. Red	- Lambda Sensor +
9. Red	- +5V Output
10. Red	- +12V Ign Input
11. Yellow	- TDC Sensor Signal
12. Green	- Trigger Sensor Signal