

TITAN Nissan 6Cyl 1Coil 5V Hall

Harness Required: E21 Ver 1.0 & E22 Ver 1.0

Last Changed: 29/09/2011

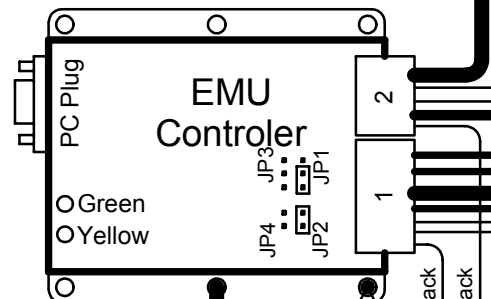
Drawing Ver: 2.1

Ign+
Ignition Power

Earth
Ground

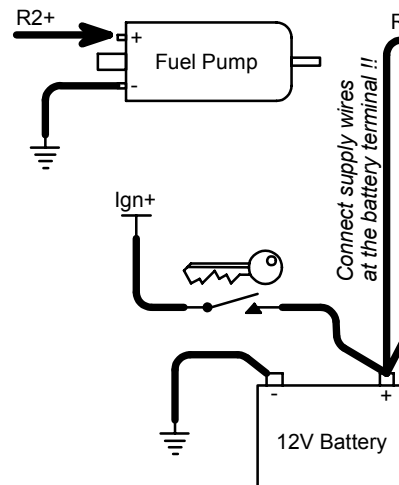
Terminal Connections with the same name are tied together

Led's Functions
Yellow - Power
Green - RPM Pulse

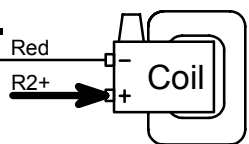
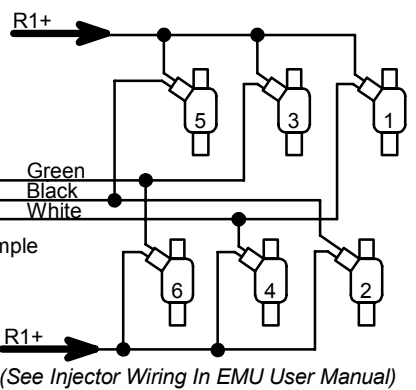
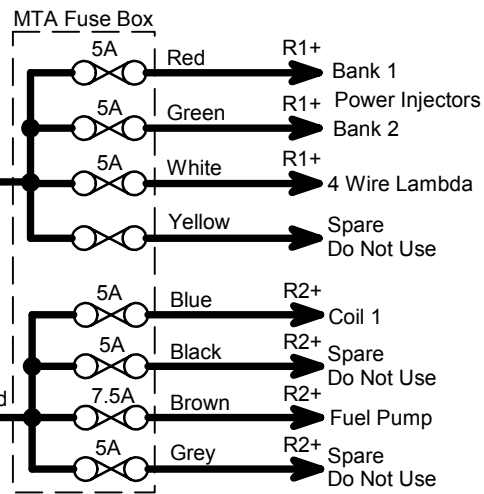
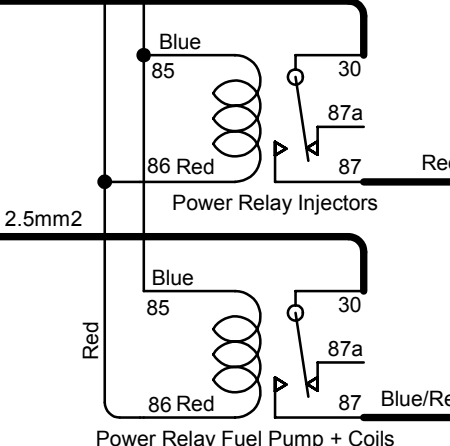


Use 2.5mm or larger wire if enclosure is not earthed to body

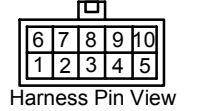
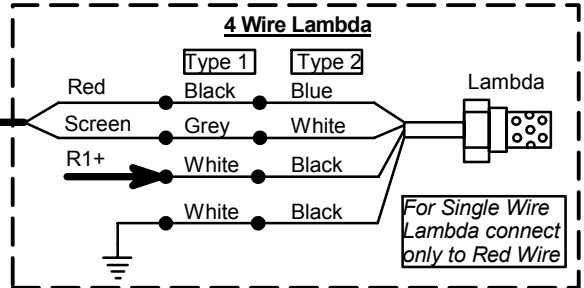
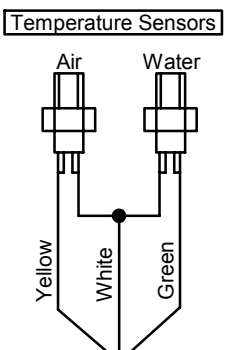
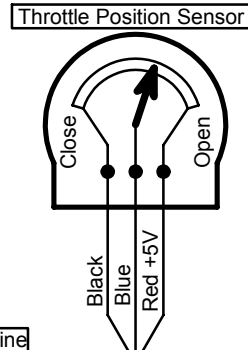
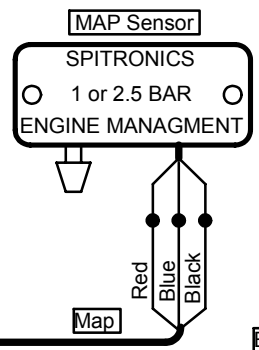
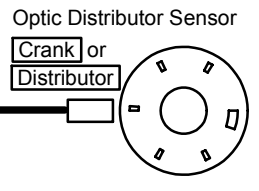
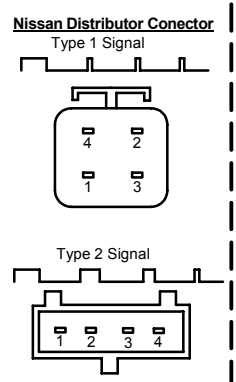
Connect to enclosure



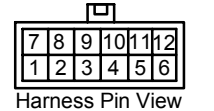
Connect supply wires at the battery terminal !!



Optic / Hall Pickup	
Harness	Description
1. Black	Earth
2. Red	+12V
3.	Degrees Pulse
4. Green	Slot Fire Pulse



- 1. Blue - Not Used
- 2. Green - Injector Out 3
- 3. White - Injector Out 1
- 4. Blue - Fuel Relay
- 5. Yellow - GP Output 1
- 6. Red - Coil1
- 7. Yellow - Not Used
- 8. Black - Injector Out 2
- 9. Green - RPM Output
- 10. Green - GP Output 2



- 1. Yellow - Air Temp Sensor
- 2. Blue - TPS Sensor(Wiper)
- 3. Blue - Map Sensor
- 4. Black - Map + TPS Ground
- 5. Blue - Not Used
- 6. Red - Trigger Sensor Power
- 7. Green - Water Temp Sensor
- 8. Red - Lamda Sensor
- 9. Red - +5V Output
- 10. Red - +12V Ign Input
- 11. Yellow - Not Used
- 12. Green - Trigger Sensor Signal