

# TITAN Mitsubishi

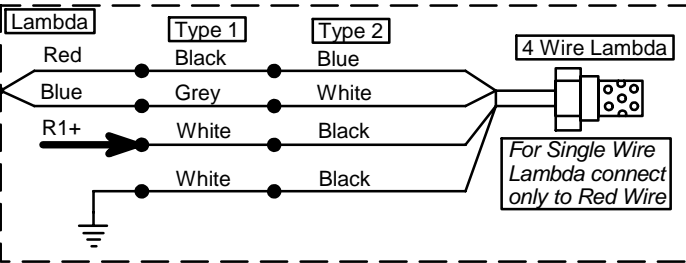
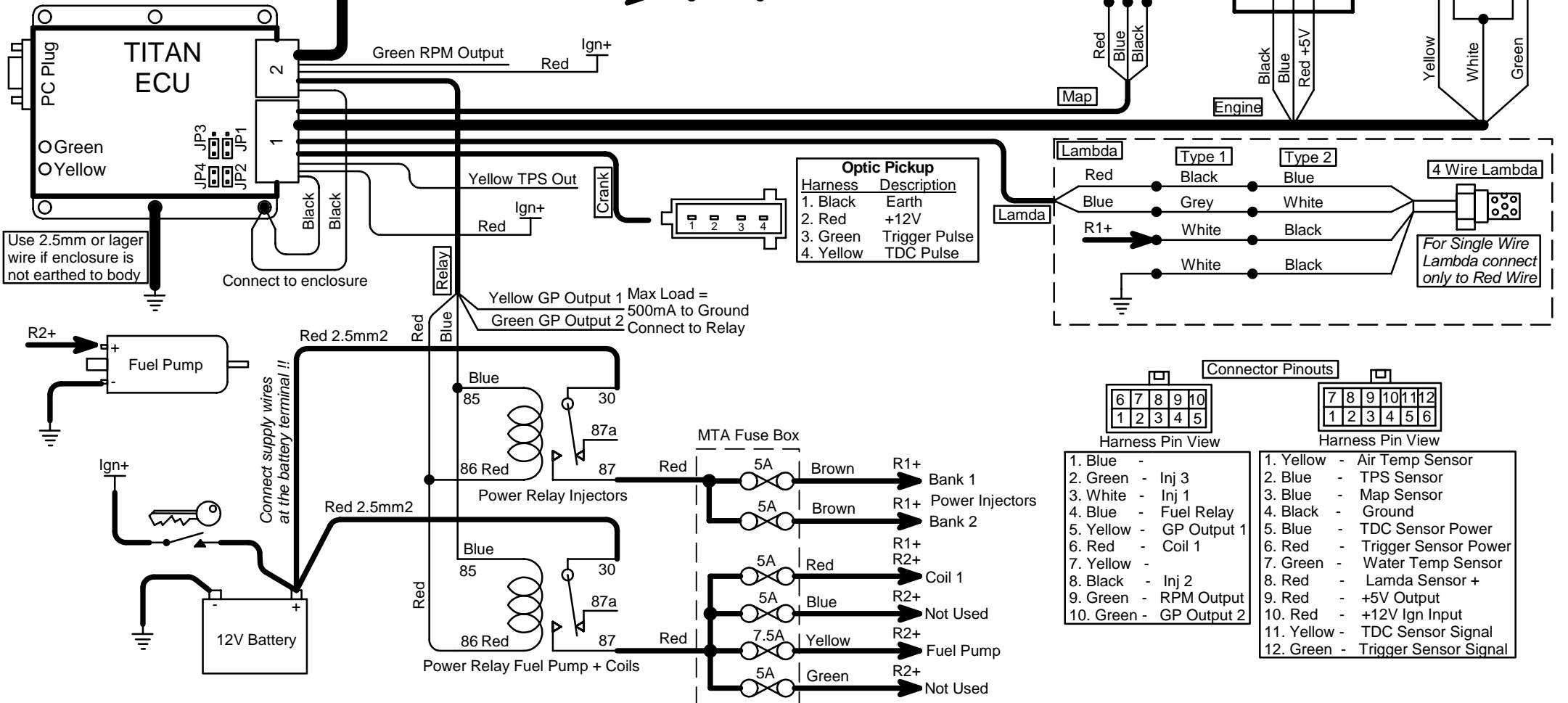
Harness Required: E22 Ver 1.0 & E21 Ver 1.0

Last Changed: 27/09/2010

Drawing Ver: 1.0

Ign+  
|  
T Ignition Power  
|  
Earth  
|  
Terminal Connections  
with the same name  
are tied together

**Led's Functions**  
Yellow - Power  
Green - RPM Pulse



**Connector Pinouts**

Pin	Color	Function
1	Blue	-
2	Green	- Inj 3
3	White	- Inj 1
4	Blue	- Fuel Relay
5	Yellow	- GP Output 1
6	Red	- Coil 1
7	Yellow	-
8	Black	- Inj 2
9	Green	- RPM Output
10	Green	- GP Output 2
11	Yellow	- Air Temp Sensor
12	Green	- Trigger Sensor Signal

**Optic Pickup**

Harnes	Description
1. Black	Earth
2. Red	+12V
3. Green	Trigger Pulse
4. Yellow	TDC Pulse

Yellow GP Output 1 Max Load = 500mA to Ground  
Green GP Output 2 Connect to Relay

Use 2.5mm or larger wire if enclosure is not earthed to body

Ign+  
|  
T Ignition Power  
|  
Earth  
|  
Terminal Connections  
with the same name  
are tied together

**Led's Functions**  
Yellow - Power  
Green - RPM Pulse