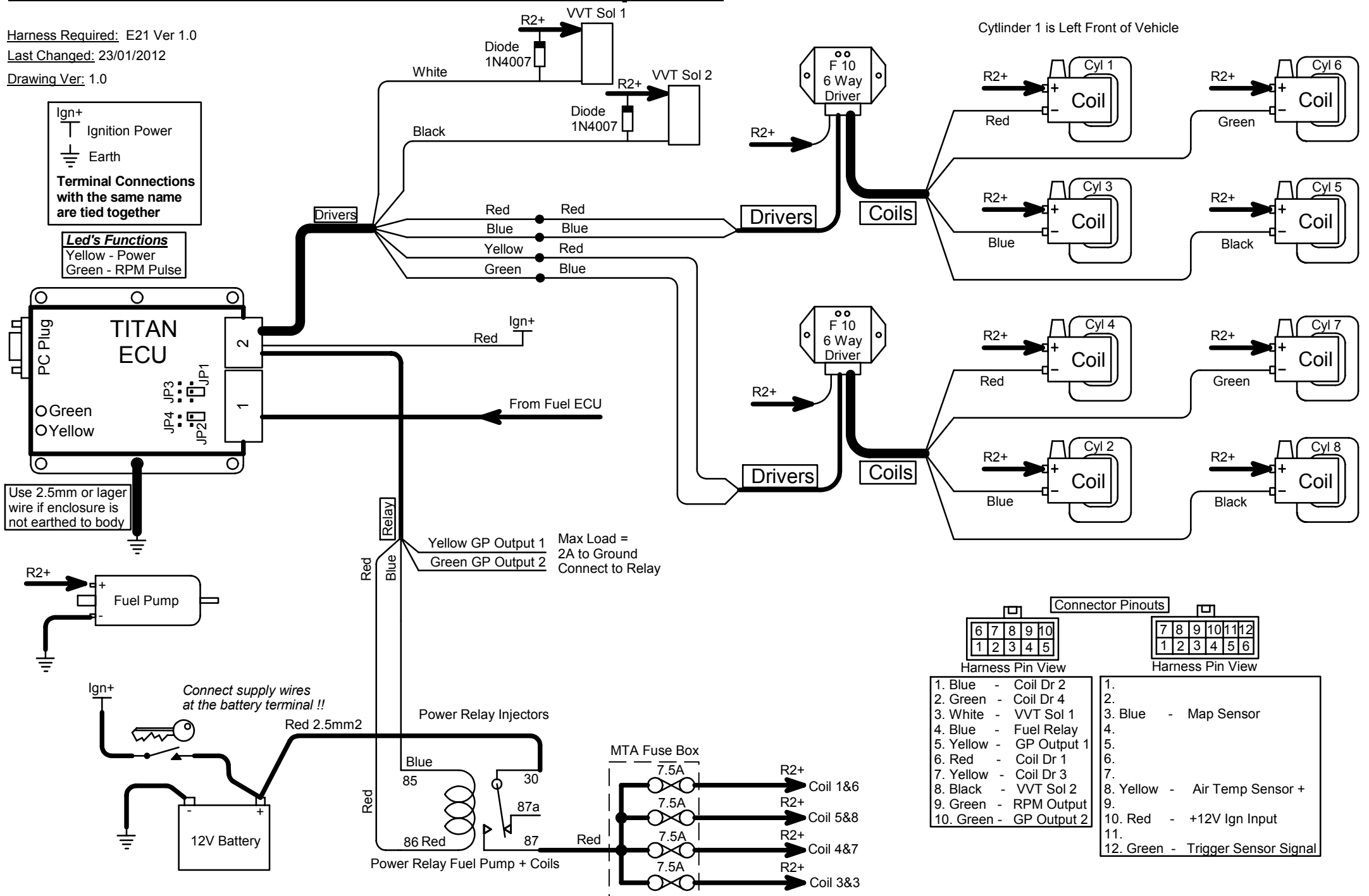


TITAN T3 V8 Ford VVT Spark

Harness Required: E21 Ver 1.0

Last Changed: 23/01/2012

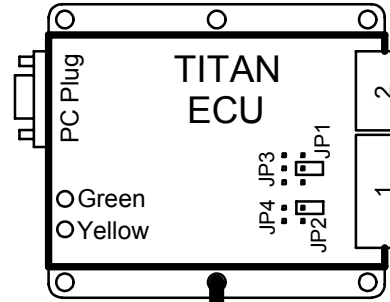
Drawing Ver: 1.0



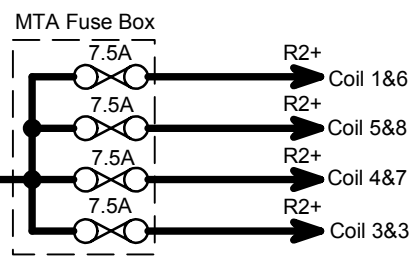
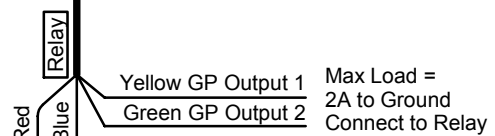
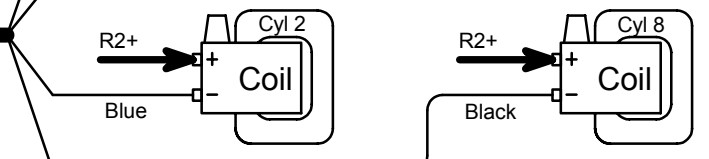
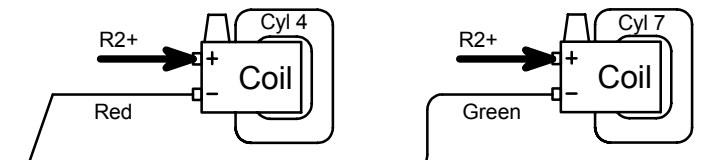
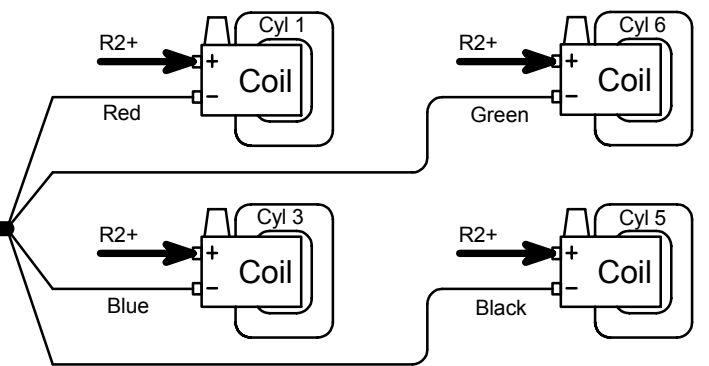
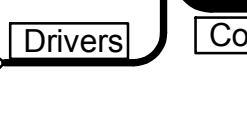
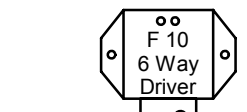
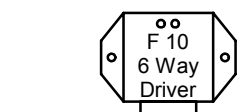
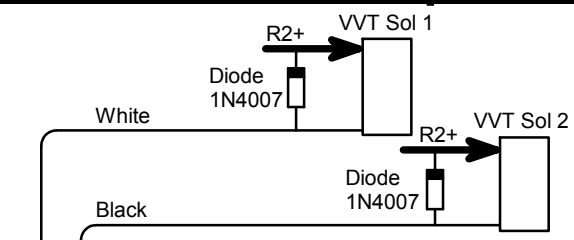
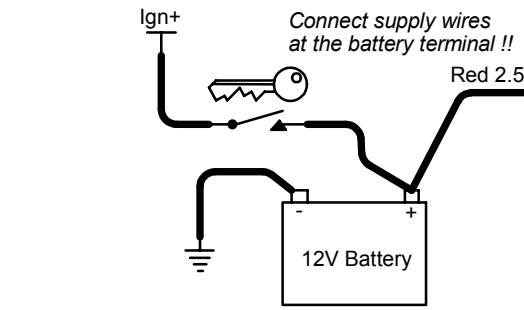
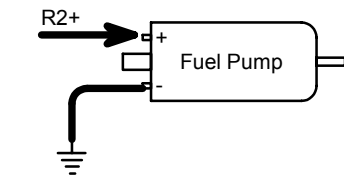
Cylinder 1 is Left Front of Vehicle

Ign+ Ignition Power
 Earth

Led's Functions
 Yellow - Power
 Green - RPM Pulse



Use 2.5mm or larger wire if enclosure is not earthed to body



Connector Pinouts

Harness Pin View					Harness Pin View					
6	7	8	9	10	7	8	9	10	11	12
1	2	3	4	5	1	2	3	4	5	6
1. Blue	2. Green	3. White	4. Blue	5. Yellow	1. Blue	2. Green	3. Blue	4. Yellow	5. Red	6. Yellow
6. Red	7. Yellow	8. Black	9. Green	10. Green	7. Yellow	8. Black	9. Yellow	10. Red	11. Green	12. Green
- Coil Dr 2	- Coil Dr 4	- VVT Sol 1	- Fuel Relay	- GP Output 1	- Coil Dr 3	- VVT Sol 2	- Air Temp Sensor +	- +12V Ign Input	- RPM Output	- Trigger Sensor Signal