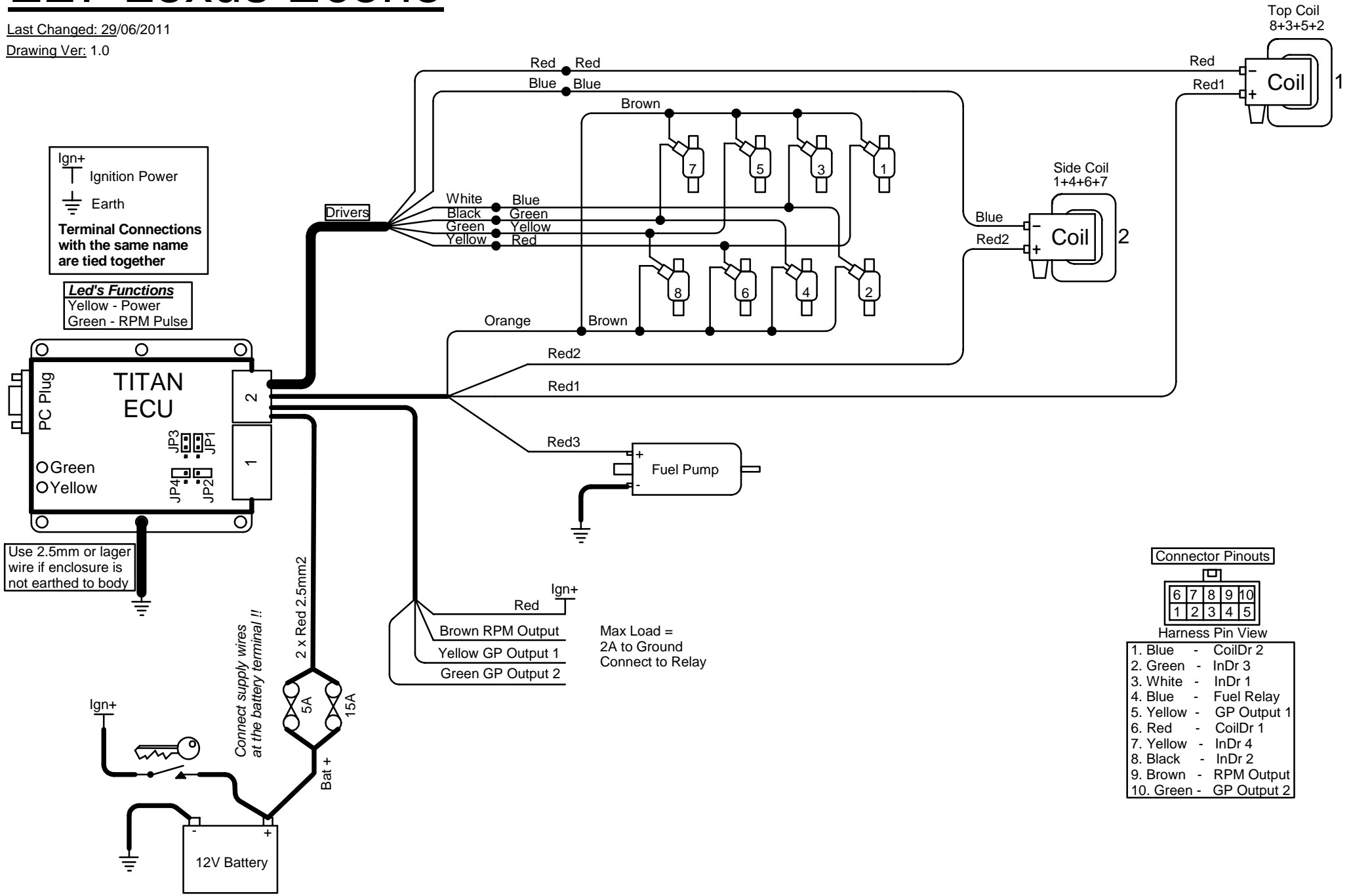


E27 Lexus Econo

Last Changed: 29/06/2011

Drawing Ver: 1.0



Ign+ Ignition Power
 Earth
Terminal Connections with the same name are tied together

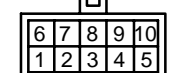
Led's Functions
 Yellow - Power
 Green - RPM Pulse

Use 2.5mm or larger wire if enclosure is not earthed to body

Connect supply wires at the battery terminal !!

Max Load = 2A to Ground
 Connect to Relay

Connector Pinouts



Harness Pin View

- 1. Blue - CoilDr 2
- 2. Green - InDr 3
- 3. White - InDr 1
- 4. Blue - Fuel Relay
- 5. Yellow - GP Output 1
- 6. Red - CoilDr 1
- 7. Yellow - InDr 4
- 8. Black - InDr 2
- 9. Brown - RPM Output
- 10. Green - GP Output 2