

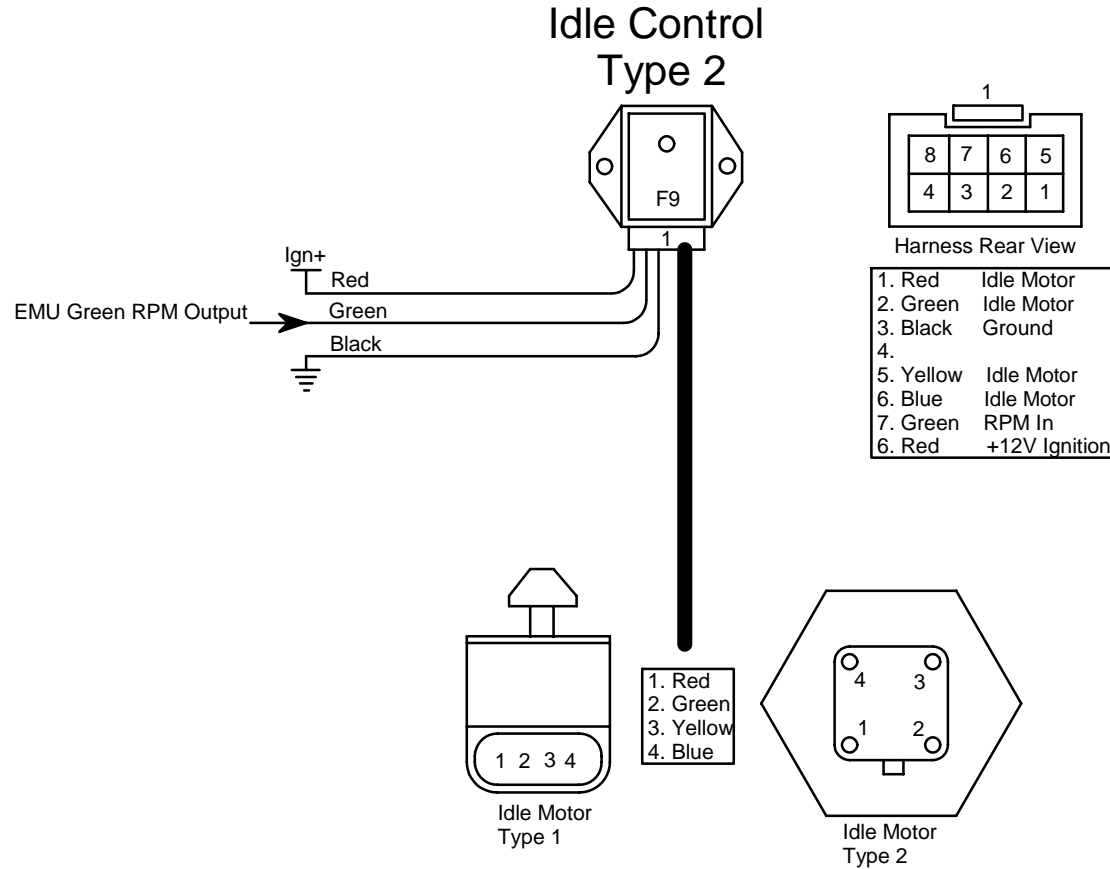
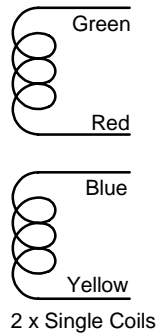
Idle Stepper Motor Control Type 2

Harness Required: S01 Ver 1.0

Last Changed: 30/06/2008

Drawing Ver: 1.0

Connection Schematic



Do Not use this idle control if coil resistance is less than 20 ohm !!!