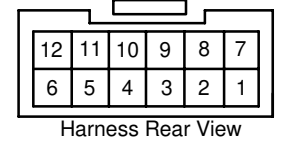
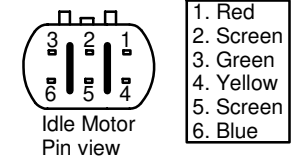
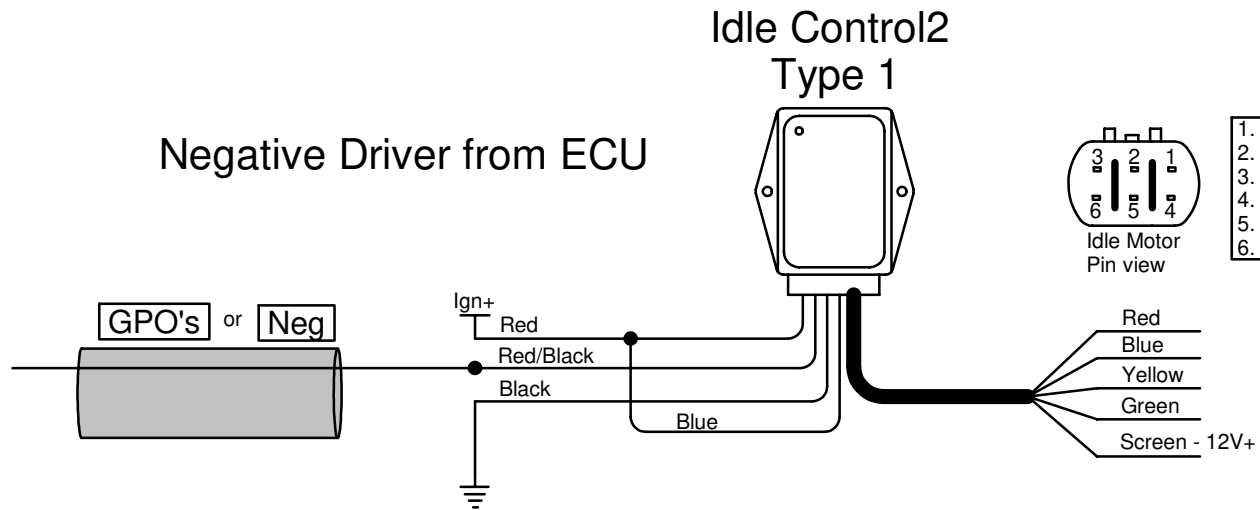


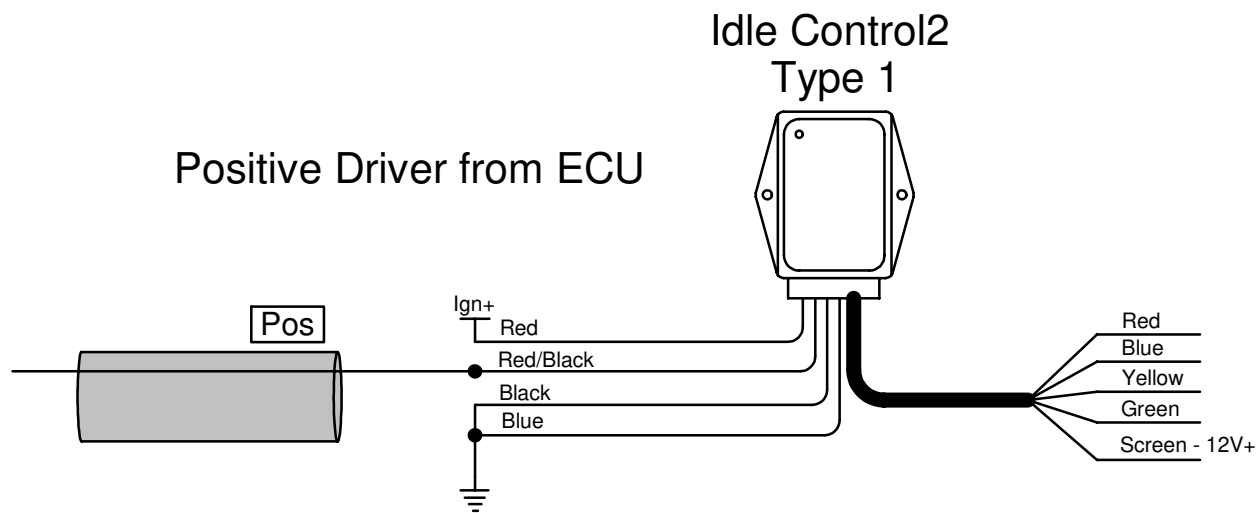
# Idle Control2 - Type 1 Stepper

Last Changed: 13/11/2018

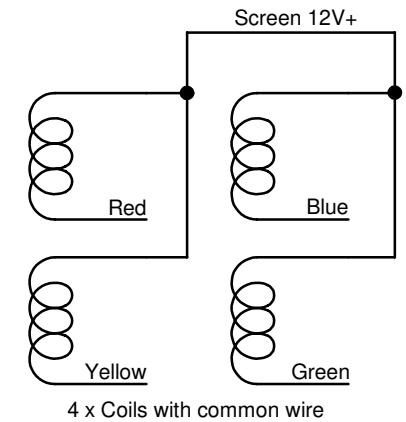
**NB!! Do Not Earth the Screen**  
as it carries 12V+



- |    |    |    |   |   |   |
|----|----|----|---|---|---|
| 12 | 11 | 10 | 9 | 8 | 7 |
| 6  | 5  | 4  | 3 | 2 | 1 |
- Harness Rear View
- 1. Red - Idle Motor
  - 2. Green - Idle Motor
  - 3. Black - Ground
  - 4. Blue - Reference
  - 5. N/C
  - 6. N/C
  - 7. Yellow - Idle Motor
  - 8. Blue - Idle Motor
  - 9. Red/Black - RPM In
  - 10. Red - +12V Ignition
  - 11. N/C
  - 12. N/C



## Connection Schematic



**Do Not use this idle control if coil resistance is less than 10 ohm !!!**

**Note:** The connection to the ECU changes with the GP Output Priority selection. View the Priority spreadsheet for the specific firmware to see which output is selected. Then make sure on how to connect between the 2 options above. It could be connected on a negative or positive driver. Note the Blue wire on the stepper controller is connected differently for the 2 types of connections.

Software Settings

Idle Control Type

Stepper Motor