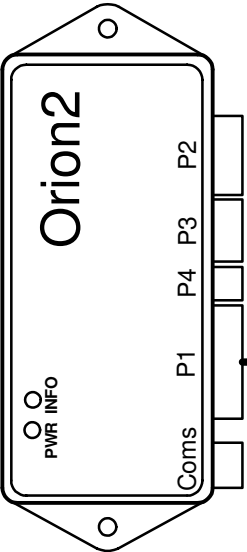
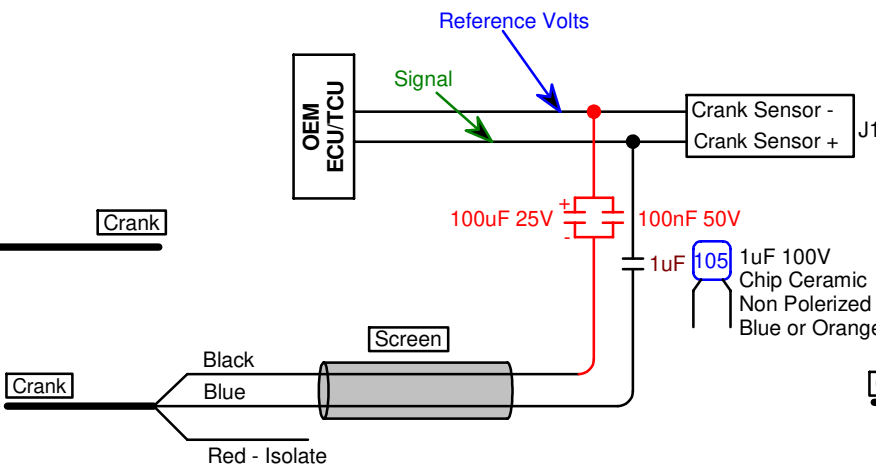


Crank Sensor Tap In E24

Last Changed: 08/08/2020
 Harness: E24-P1

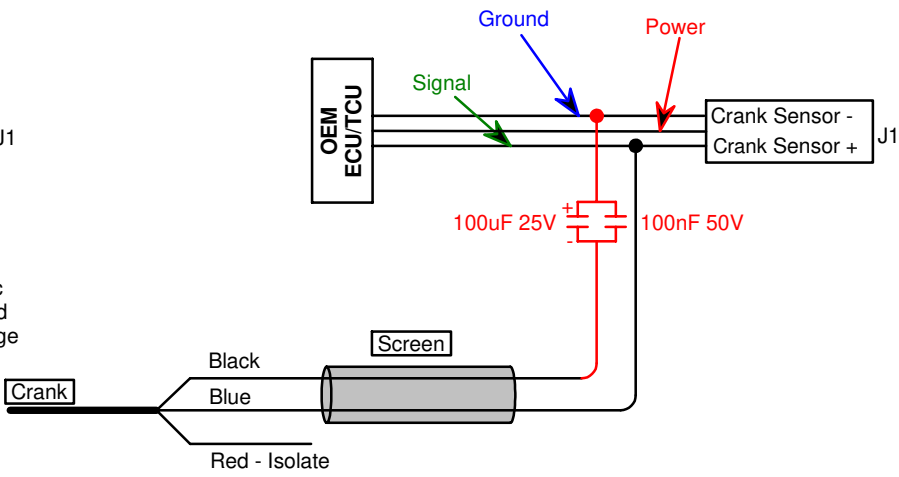


Magnetic Crank Sensor Tap-In and filter

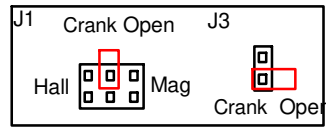


Note! Optional Capacitors from reference to black will help prevent interference in ECU earth differences. If not used, leave the black un-connected and isolate.

Hall or Optic Crank Sensor Tap-In and filter



Note! Optional Capacitors from reference to black will help prevent interference in ECU earth differences. If not used, leave the black un-connected and isolate.



Tap-In Jumper Settings

Software Settings

Active Sensors

- Crank (TDC) [Falling]
- Cam (Home)