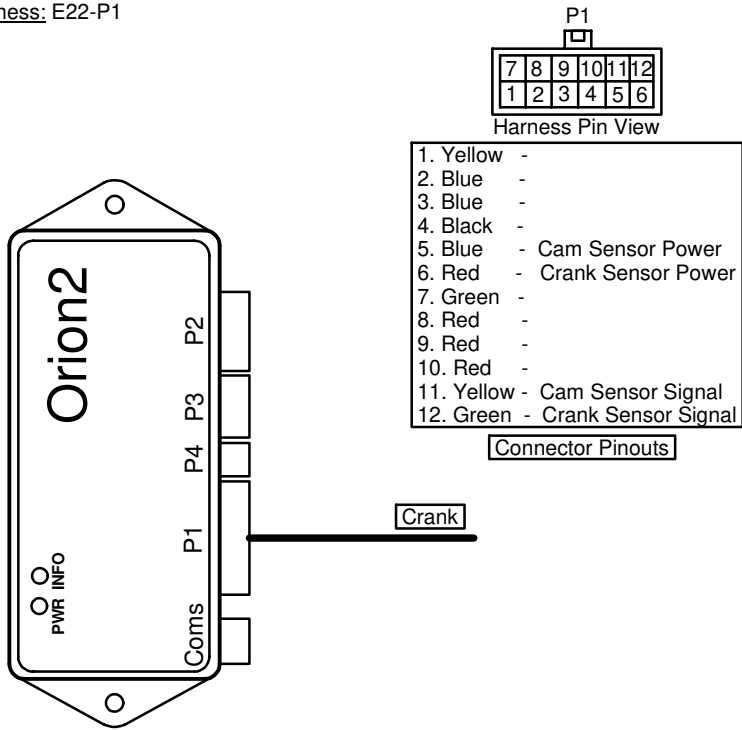


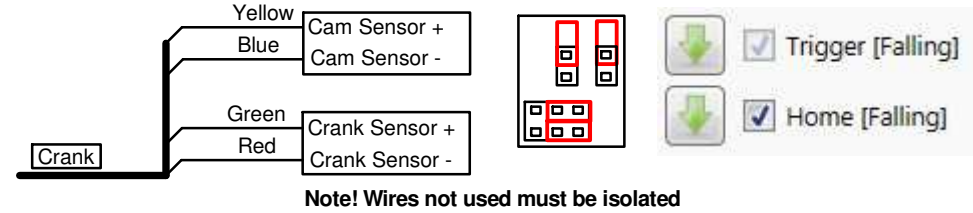
E22 P1 Crank and Cam Sensor

Last Changed: 08/08/2020

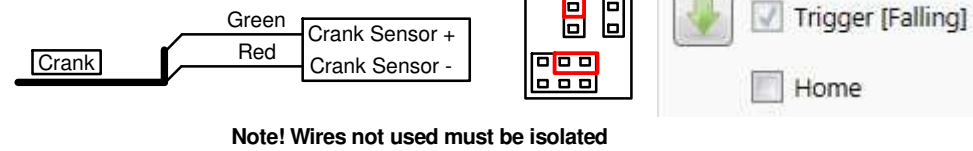
Harness: E22-P1



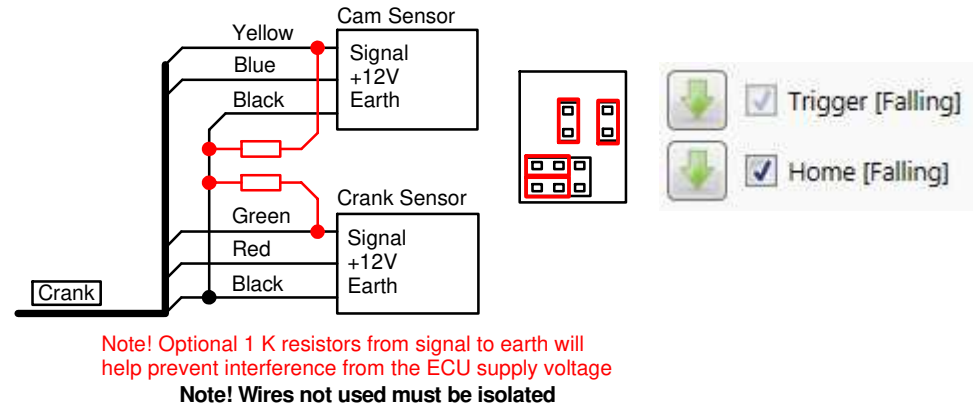
Magnetic Crank & Magnetic Cam Sensor



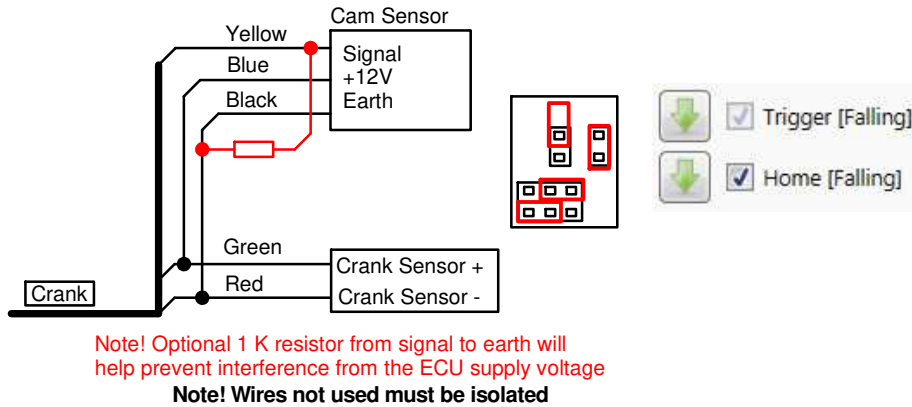
Magnetic Crank Sensor



Hall Crank & Hall Cam Sensor



Magnetic Crank & Hall Cam Sensor



Hall Crank Sensor

