

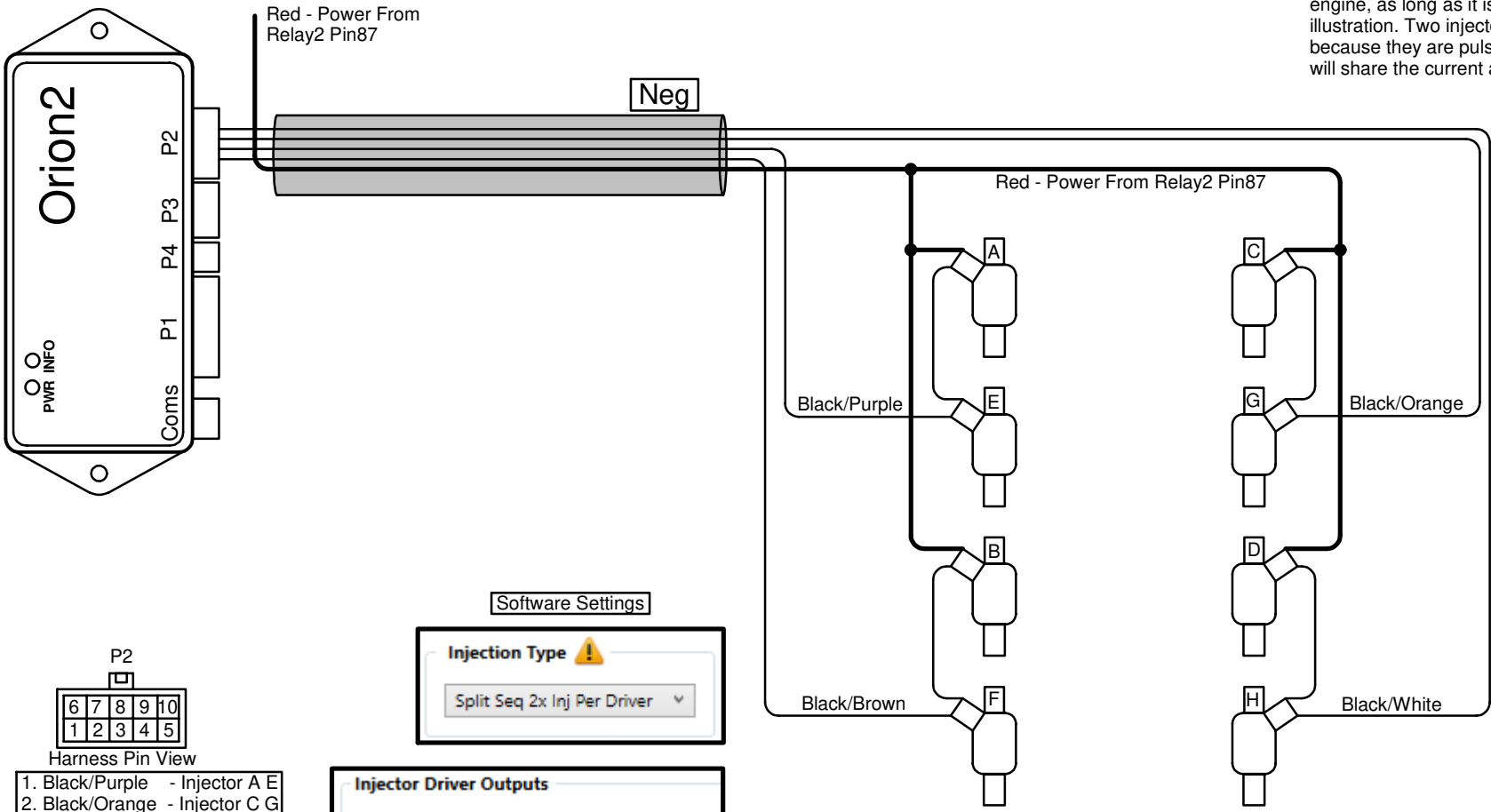
8Cyl Split Seq Low Imp Injector Standard

Last Changed: 11/12/2020
 Harness Required: E33

| | | | | | | | |
|---|---|---|---|---|---|---|---|
| A | B | C | D | E | F | G | H |
| | | | | | | | |

Write your firing order from left to right in the blocks above marked with an alphabetical letter. Then write the corresponding number on the corresponding injector with the same alphabetical letter in the drawing below. Now connect your injector number to the corresponding colour wire.

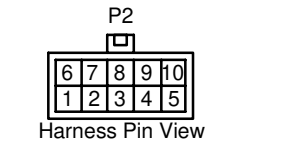
Note: The order of the injectors will differ on their placing on the engine, as long as it is connected to the same colour wire as this illustration. Two injectors in four pairs will be connected in series because they are pulsed together. Connect them as such. They will share the current and eliminate the need for a series resistor.



Software Settings

Injection Type ⚠️

Split Seq 2x Inj Per Driver



- 1. Black/Purple - Injector A E
- 2. Black/Orange - Injector C G
- 3. Black/White - Injector D H
- 4. Blue -
- 5. Blue/Orange -
- 6. Black/Red -
- 7. Black/Brown - Injector B F
- 8. Black/Yellow -
- 9. Green -
- 10. Blue/White -

Injector Driver Outputs

- Injector Driver Output 1 **Coil Negative 2**
- Injector Driver Output 2 **Coil Negative 3**
- Injector Driver Output 3 **Coil Negative 4**
- Injector Driver Output 4 **Negative 1**

Connector Pinouts