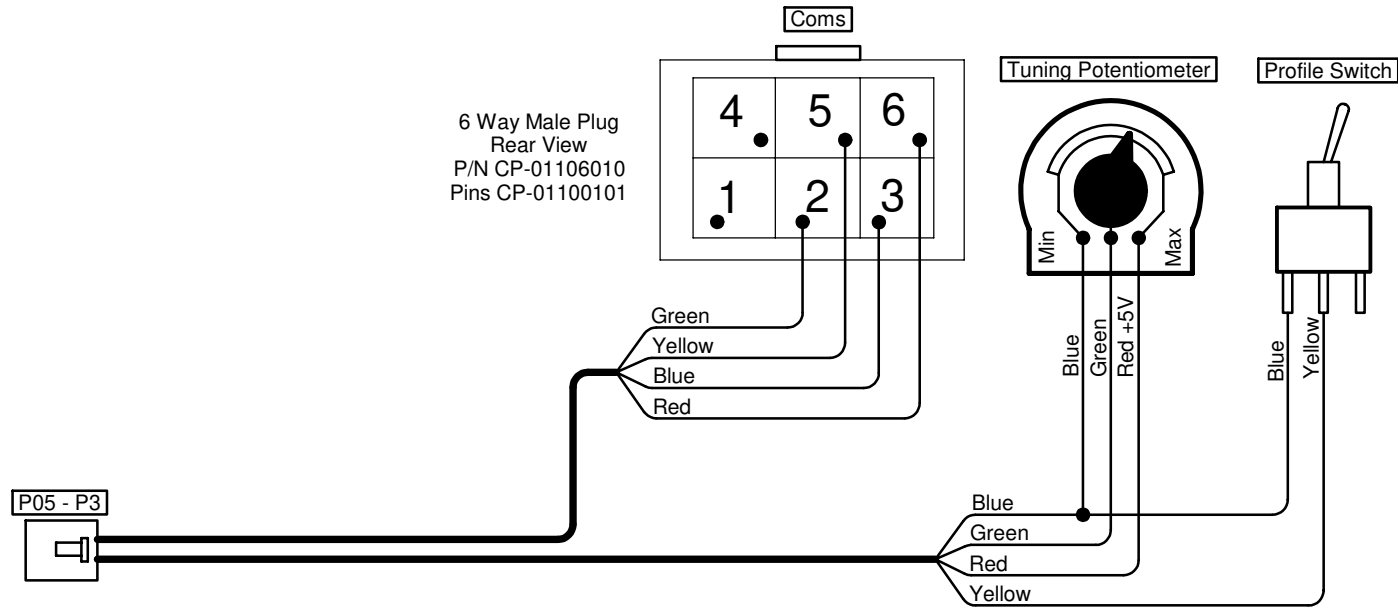


P05-Comms Inputs Drawing

File Name: P05-Comms Inputs Drawing

Last Changed: 18/05/2022



Comms



Harness Pin View

1. Yellow	- Dual Map SW
2. Green	- TXD
3. Blue	- Ground
4. Green	- Potentiometer
5. Yellow	- RXD
6. Red	- +5V Out

Connector Pinouts