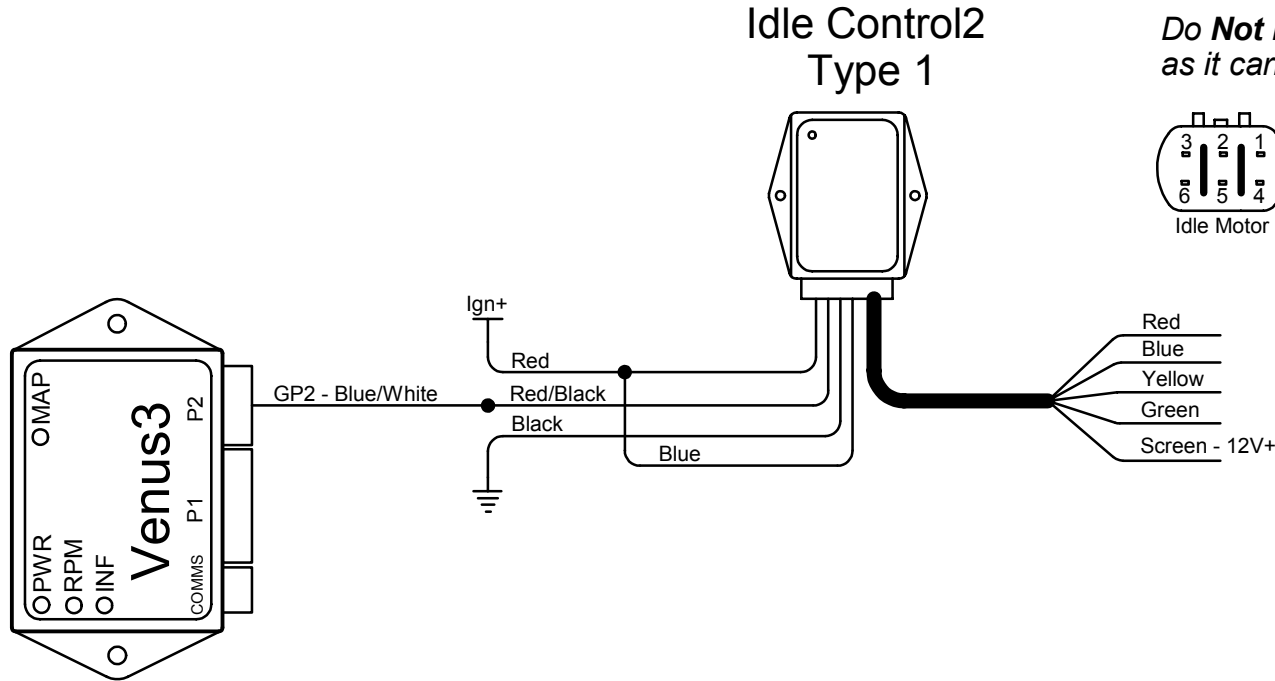


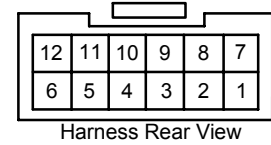
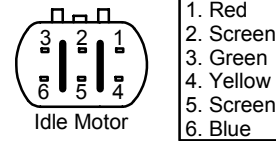
Idle Control2 - Type1 Stepper

Last Changed: 24/08/2021



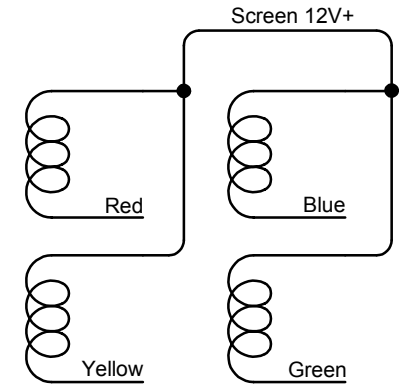
Idle Control2
Type 1

**Do Not Earth the Screen
as it carries 12V+ !!!**



1. Red - Idle Motor
2. Green - Idle Motor
3. Black - Ground
4. Blue - Reference
5. N/C
6. N/C
7. Yellow - Idle Motor
8. Blue - Idle Motor
9. Red/Black - RPM In
10. Red - +12V Ignition
11. N/C
12. N/C

Connection Schematic



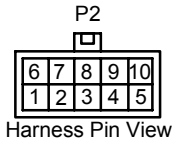
4 x Coils with common wire

**Do Not use this idle control if coil
resistance is less than 20 ohm !!!**

Software Settings

Idle Control Type

Stepper Motor



1. Black/Purple -
2. Black/Orange -
3. Black/White -
4. Blue -
5. Blue/Orange -
6. Black/Red -
7. Black/Brown -
8. Black/Yellow -
9. Green -
10. Blue/White - Idle Control2

Connector Pinouts