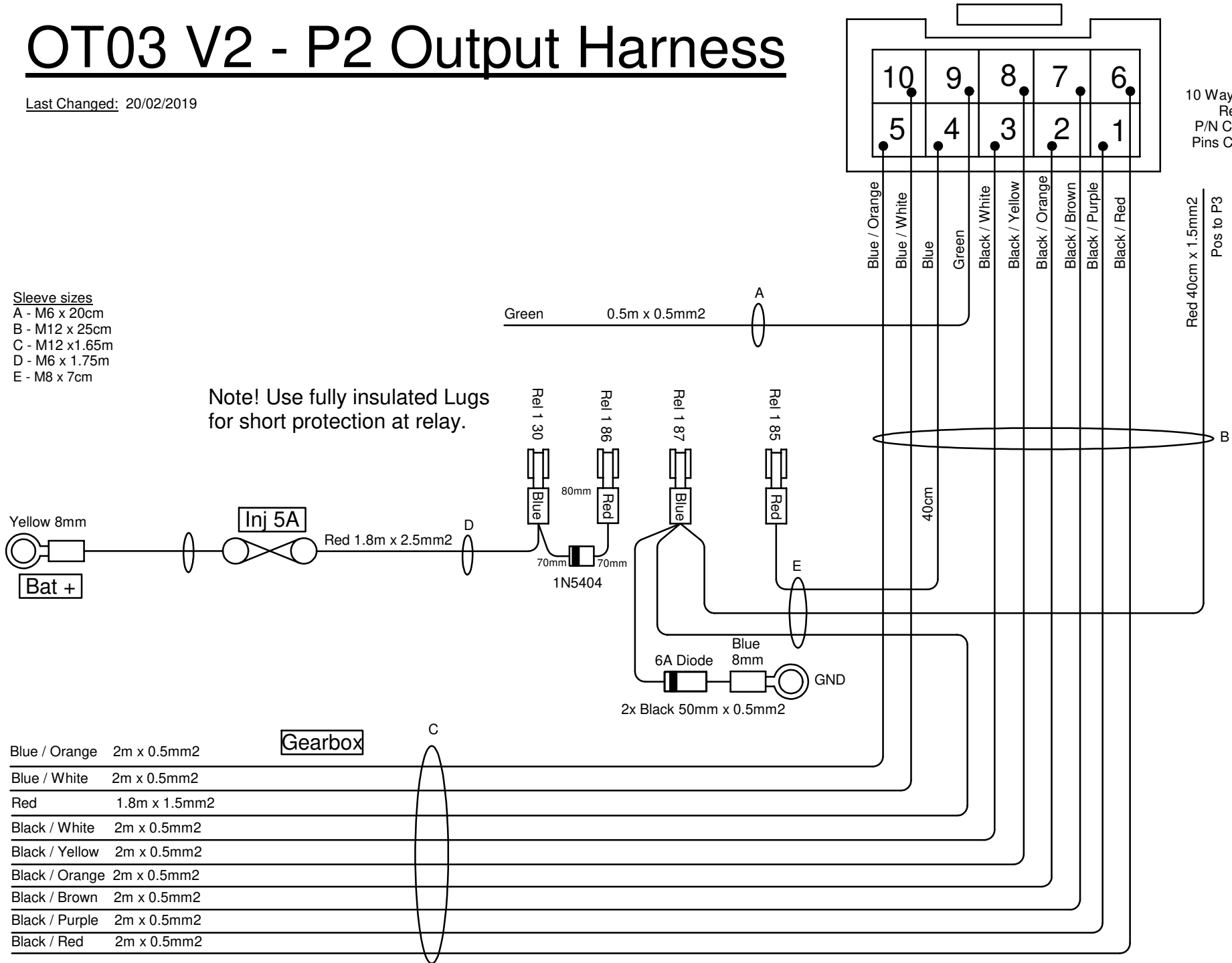


# OT03 V2 - P2 Output Harness

Last Changed: 20/02/2019

- Sleeve sizes**  
 A - M6 x 20cm  
 B - M12 x 25cm  
 C - M12 x 1.65m  
 D - M6 x 1.75m  
 E - M8 x 7cm

Note! Use fully insulated Lugs for short protection at relay.



10 Way Female Plug  
 Rear View  
 P/N CP-01110010  
 Pins CP-01100101

- |                |                           |
|----------------|---------------------------|
| Blue / Orange  | 2m x 0.5mm <sup>2</sup>   |
| Blue / White   | 2m x 0.5mm <sup>2</sup>   |
| Red            | 1.8m x 1.5mm <sup>2</sup> |
| Black / White  | 2m x 0.5mm <sup>2</sup>   |
| Black / Yellow | 2m x 0.5mm <sup>2</sup>   |
| Black / Orange | 2m x 0.5mm <sup>2</sup>   |
| Black / Brown  | 2m x 0.5mm <sup>2</sup>   |
| Black / Purple | 2m x 0.5mm <sup>2</sup>   |
| Black / Red    | 2m x 0.5mm <sup>2</sup>   |