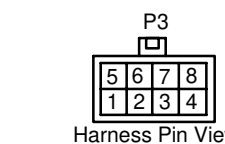
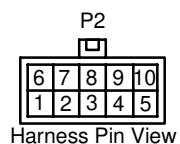
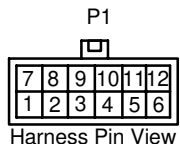
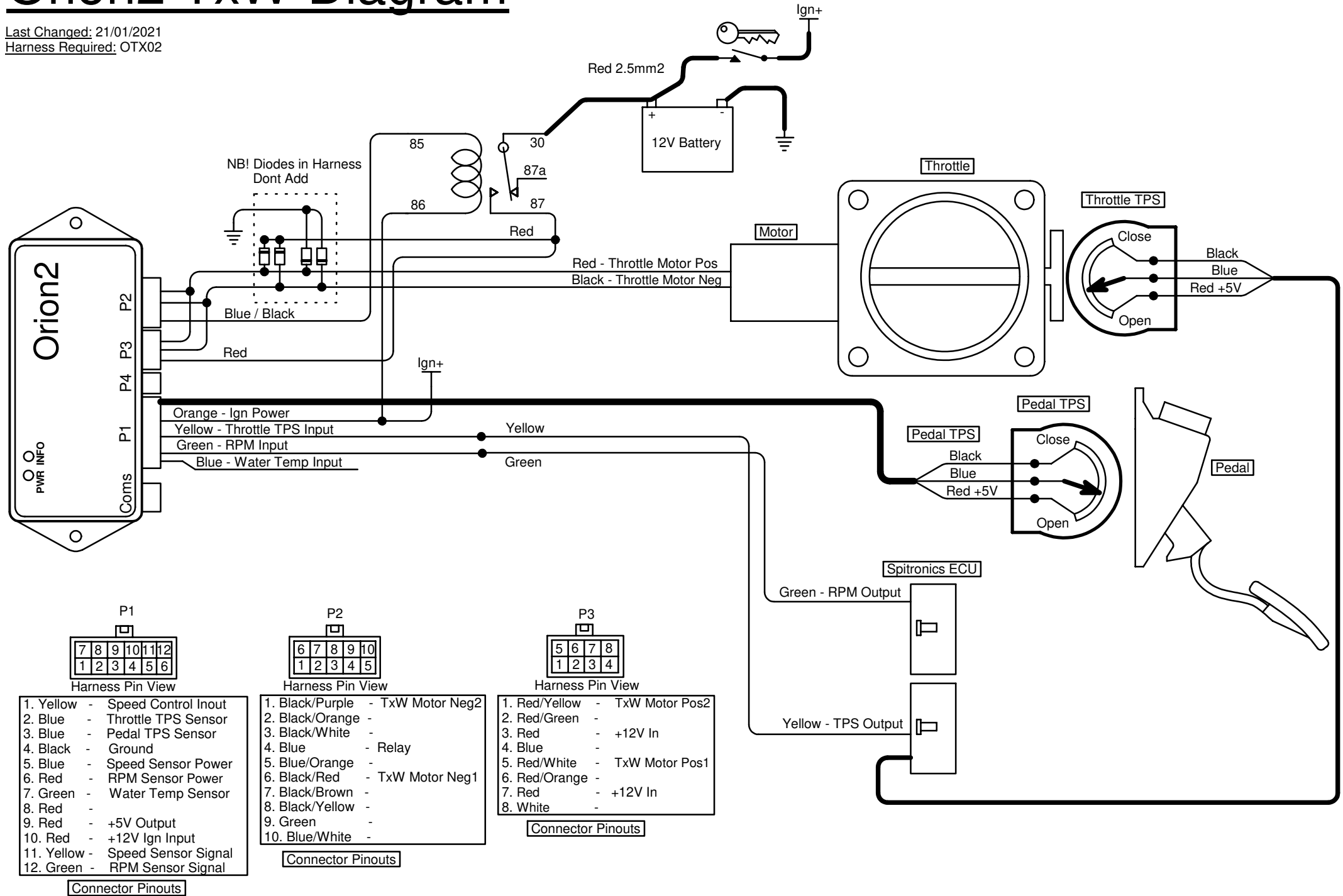


Orion2 TxW Diagram

Last Changed: 21/01/2021
 Harness Required: OTX02



- | | | | |
|-----|--------|---|---------------------|
| 1. | Yellow | - | Speed Control Inout |
| 2. | Blue | - | Throttle TPS Sensor |
| 3. | Blue | - | Pedal TPS Sensor |
| 4. | Black | - | Ground |
| 5. | Blue | - | Speed Sensor Power |
| 6. | Red | - | RPM Sensor Power |
| 7. | Green | - | Water Temp Sensor |
| 8. | Red | - | |
| 9. | Red | - | +5V Output |
| 10. | Red | - | +12V Ign Input |
| 11. | Yellow | - | Speed Sensor Signal |
| 12. | Green | - | RPM Sensor Signal |

- | | | | |
|-----|--------------|---|----------------|
| 1. | Black/Purple | - | TxW Motor Neg2 |
| 2. | Black/Orange | - | |
| 3. | Black/White | - | |
| 4. | Blue | - | Relay |
| 5. | Blue/Orange | - | |
| 6. | Black/Red | - | TxW Motor Neg1 |
| 7. | Black/Brown | - | |
| 8. | Black/Yellow | - | |
| 9. | Green | - | |
| 10. | Blue/White | - | |

- | | | | |
|----|------------|---|----------------|
| 1. | Red/Yellow | - | TxW Motor Pos2 |
| 2. | Red/Green | - | |
| 3. | Red | - | +12V In |
| 4. | Blue | - | |
| 5. | Red/White | - | TxW Motor Pos1 |
| 6. | Red/Orange | - | |
| 7. | Red | - | +12V In |
| 8. | White | - | |

Connector Pinouts

Connector Pinouts

Connector Pinouts