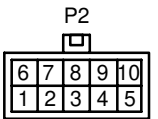
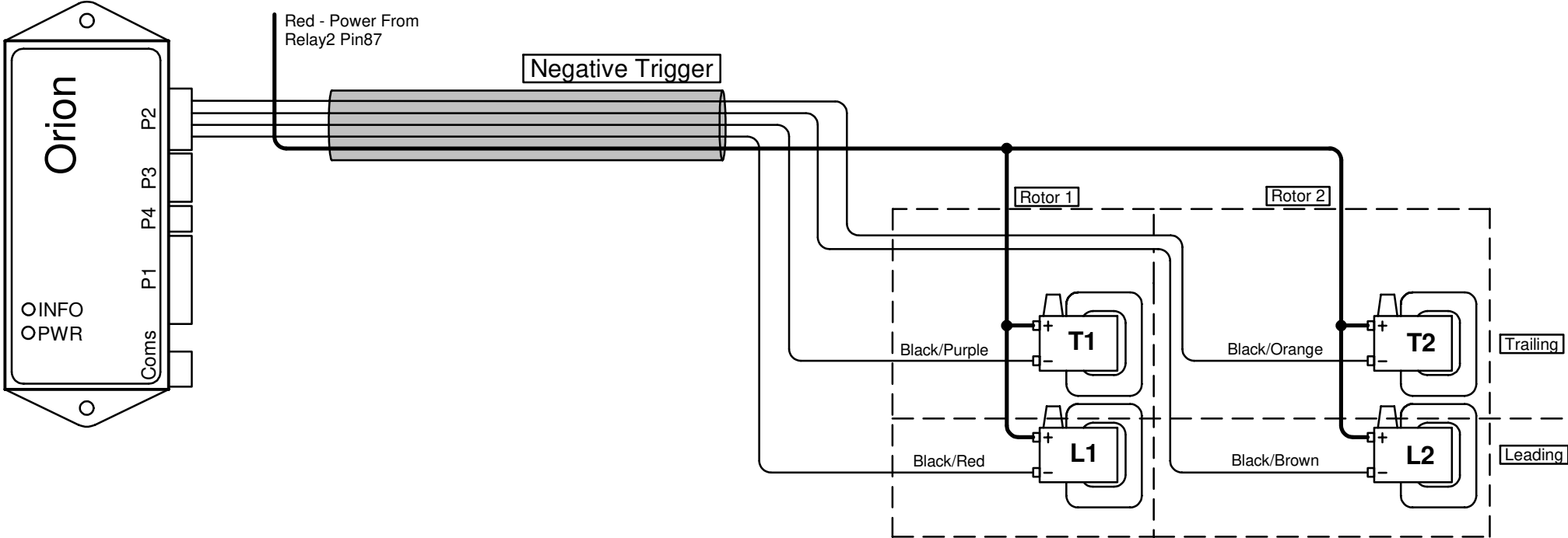


2Rotor Full Seq COP No Drv

Last Changed: 12/11/2018

Harness Required: E33



- Harness Pinout
- 1. Black/Purple - Coil Drv 2 T1
 - 2. Black/Orange - Coil Drv 4 T2
 - 3. Black/White -
 - 4. Blue -
 - 5. Blue/Orange -
 - 6. Black/Red - Coil Drv 1 L1
 - 7. Black/Brown - Coil Drv 3 L2
 - 8. Black/Yellow -
 - 9. Green -
 - 10. Blue/White -

Connector Pinouts

Software Settings

Coil Combination

Full Sequential