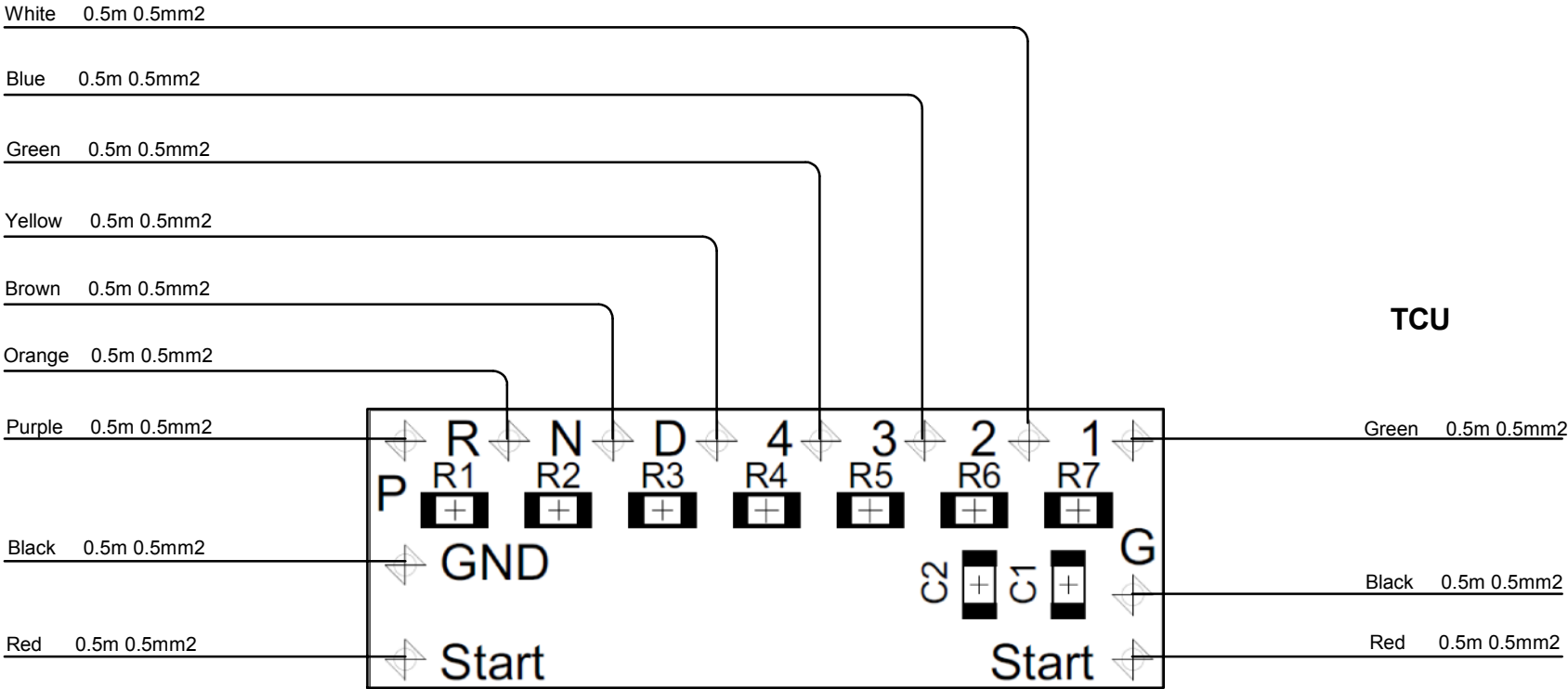


CON2 Wiring

File Name: CON2
Last Changed: 21/09/2016

Gearbox



Resistor Values :

- R1 - 3K3
- R2 - 2K2
- R3 - 1K
- R4 - 470R
- R5 - 330R
- R6 - 220R
- R7 - 100R
- C1 - 100nF
- C2 - 1uF

↓
Page Down or scroll
down for schematic

CON2 Schematic

File Name: CON2
Last Changed: 21/09/2016

