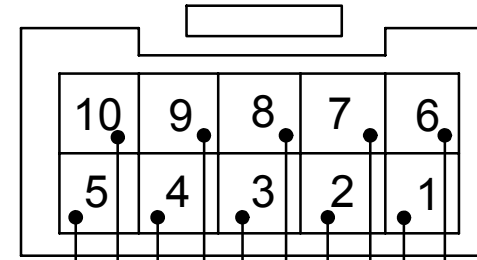


E27 Output Harness

File Name: E27 Harness

Last Changed: 28/07/2016

10 Way Female Plug
Rear View
P/N CP-01110010
Pins CP-011100101

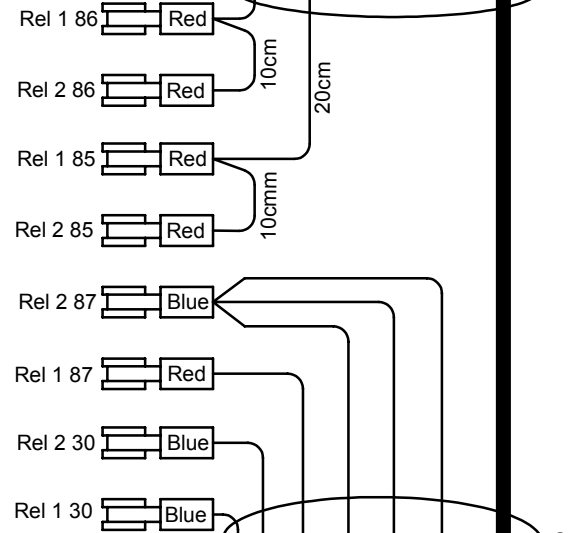


Yellow
Green
Blue
Brown
White
Black
Green
Yellow
Blue
Red

Yellow 0.3m - 0.5mm²
Green 0.3m - 0.5mm²
Brown 0.3m - 0.5mm²
Red 0.5m - 0.5mm²

A

B



Sleeve sizes
A - M8 x 20cm
B - M12 x 15cm
C - M12 x 60cm
D - M8 x 115cm

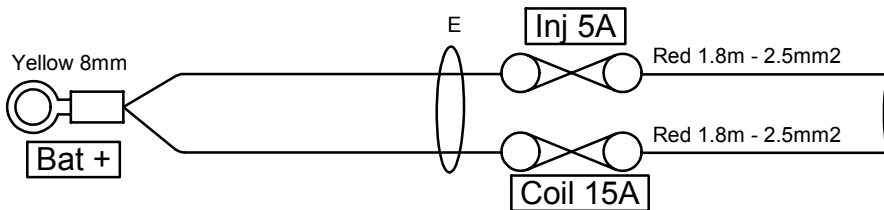
Note! Use fully insulated Lugs for short protection at relay.



SPITRONICS™

ENGINE MANAGEMENT SYSTEMS

WWW.SPITRONICS.COM



Orange 1.4m - 0.5mm²

Red 1.4m - 0.5mm²

Red 1.4m - 0.5mm²

Red 1.4m - 0.5mm²

1.6m x 6 Core