

# E32 Output Harness

File Name: E32 Harness

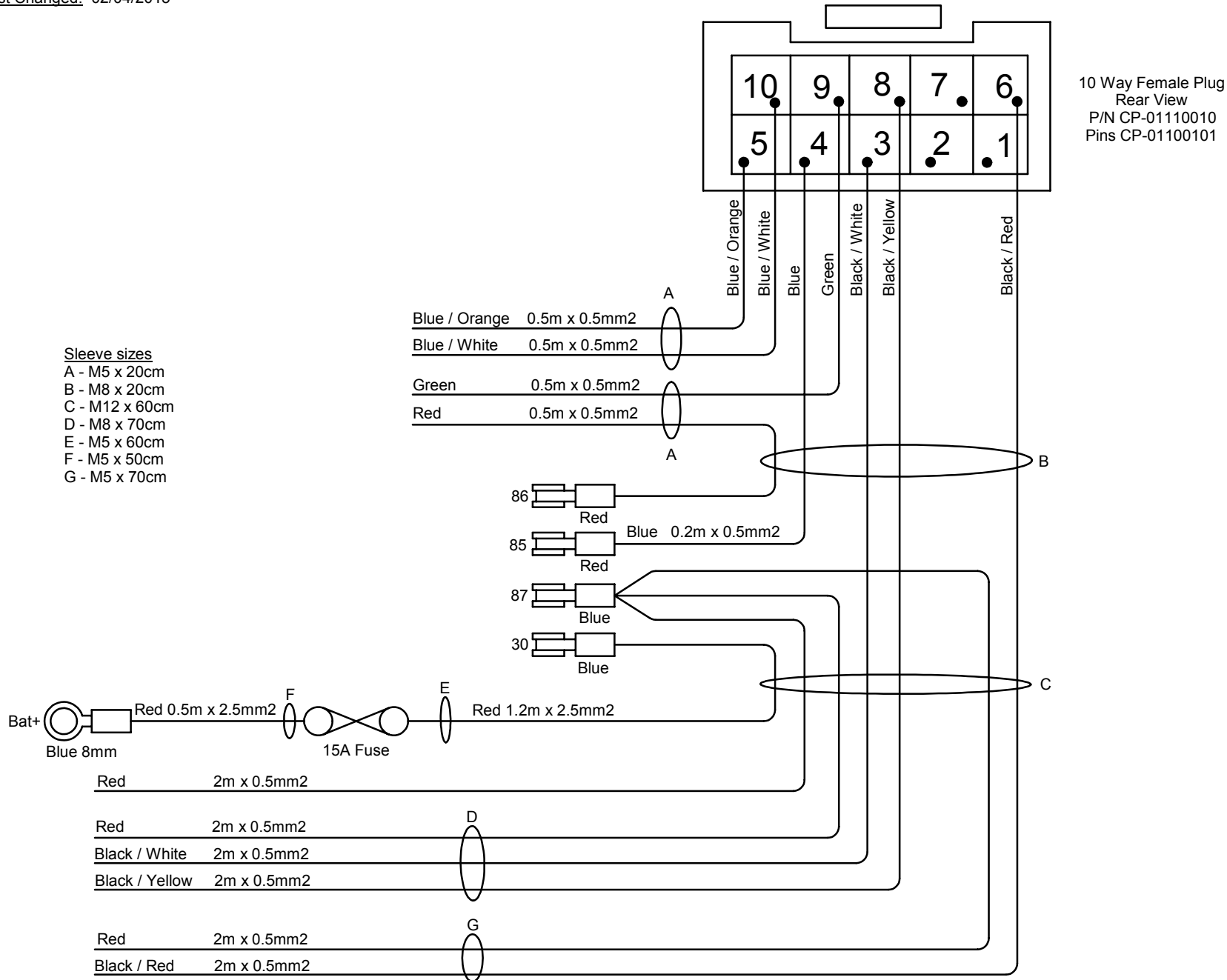
Last Changed: 02/04/2015



**SPITRONICS™**

ENGINE MANAGEMENT SYSTEMS

WWW.SPITRONICS.COM



Note! Use fully insulated Lugs for short protection at relay.