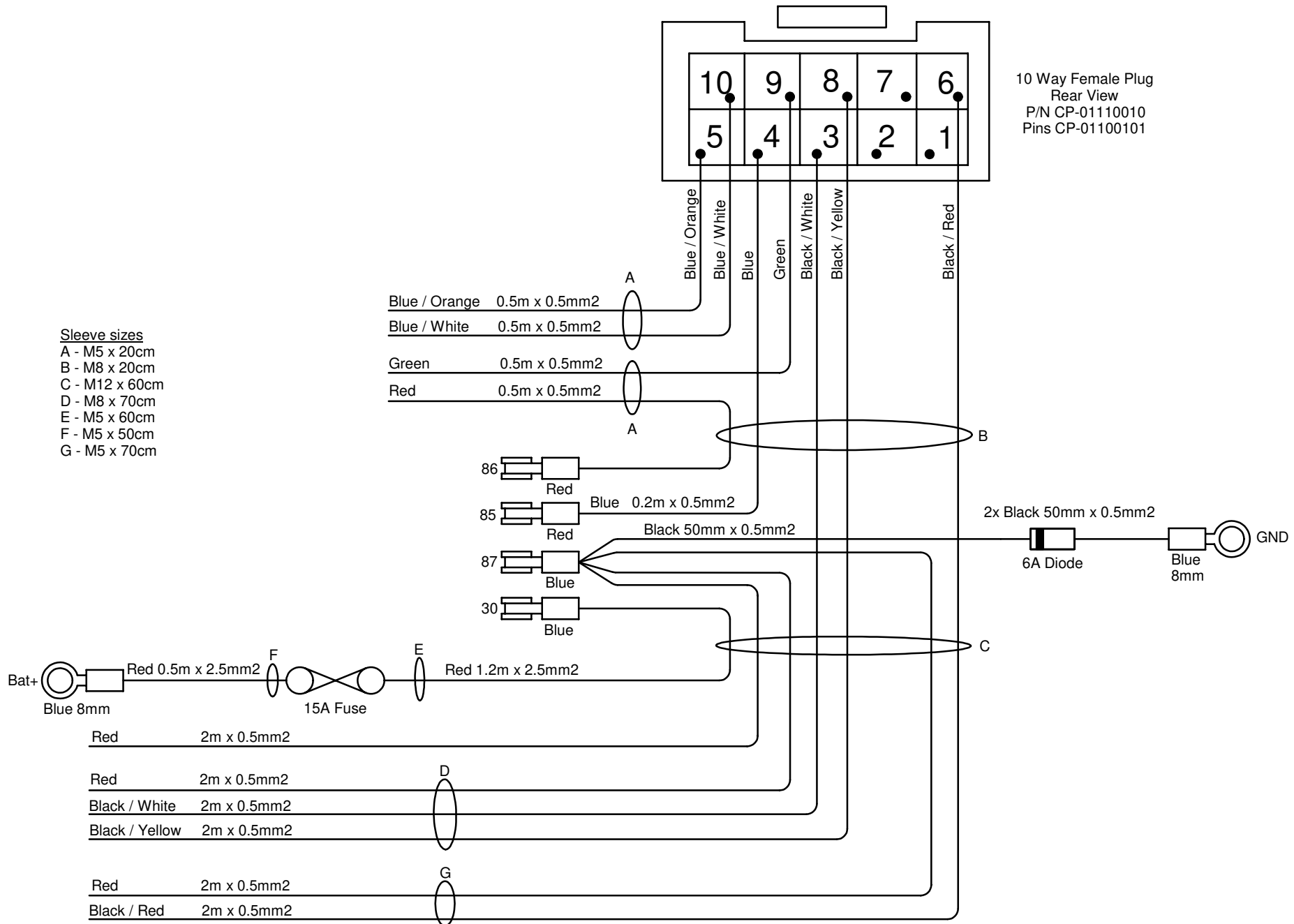


# E32 V2 Output Harness

Last Changed: 20/02/2019



Note! Use fully insulated Lugs for short protection at relay.